

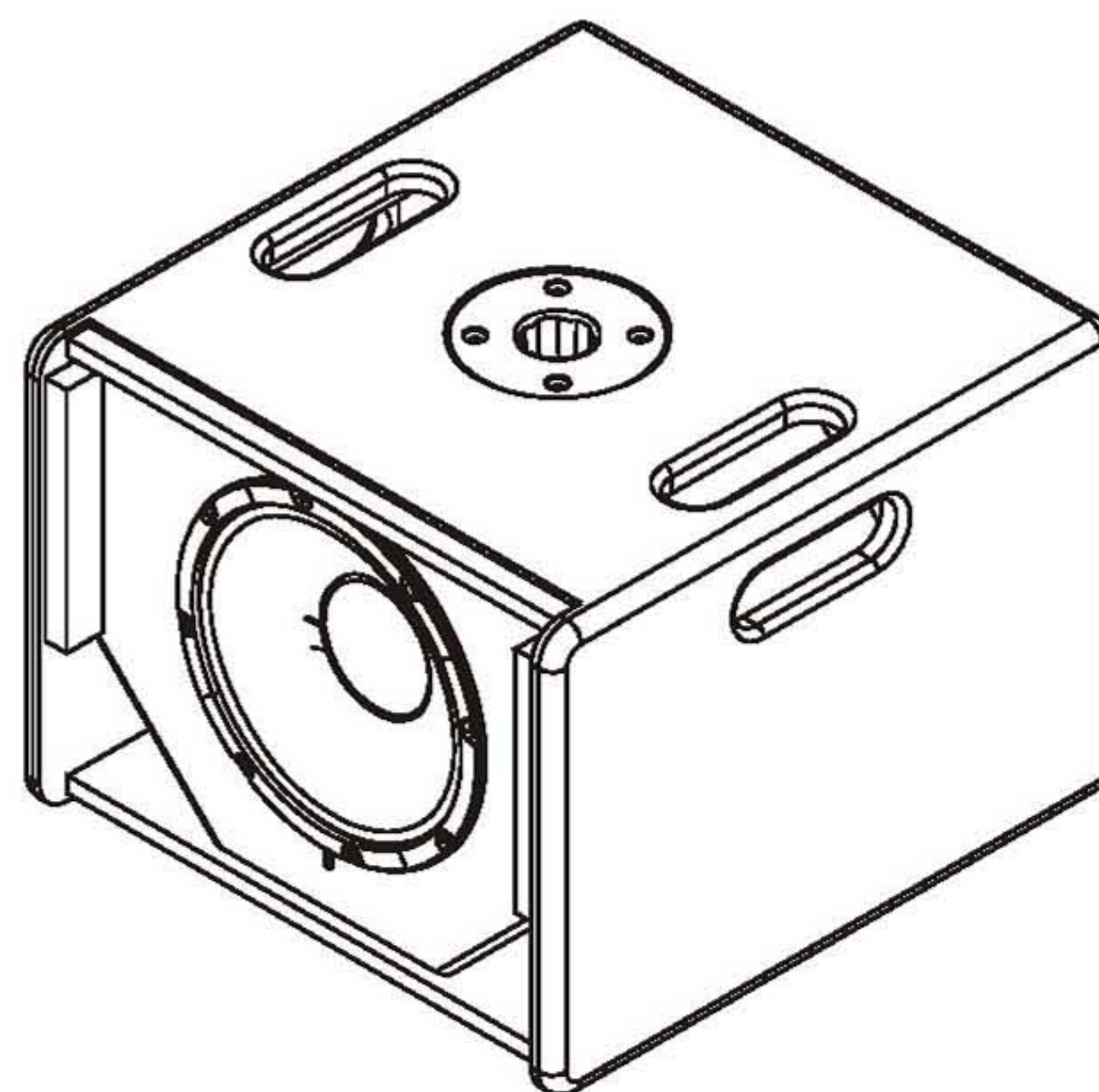


MAXX

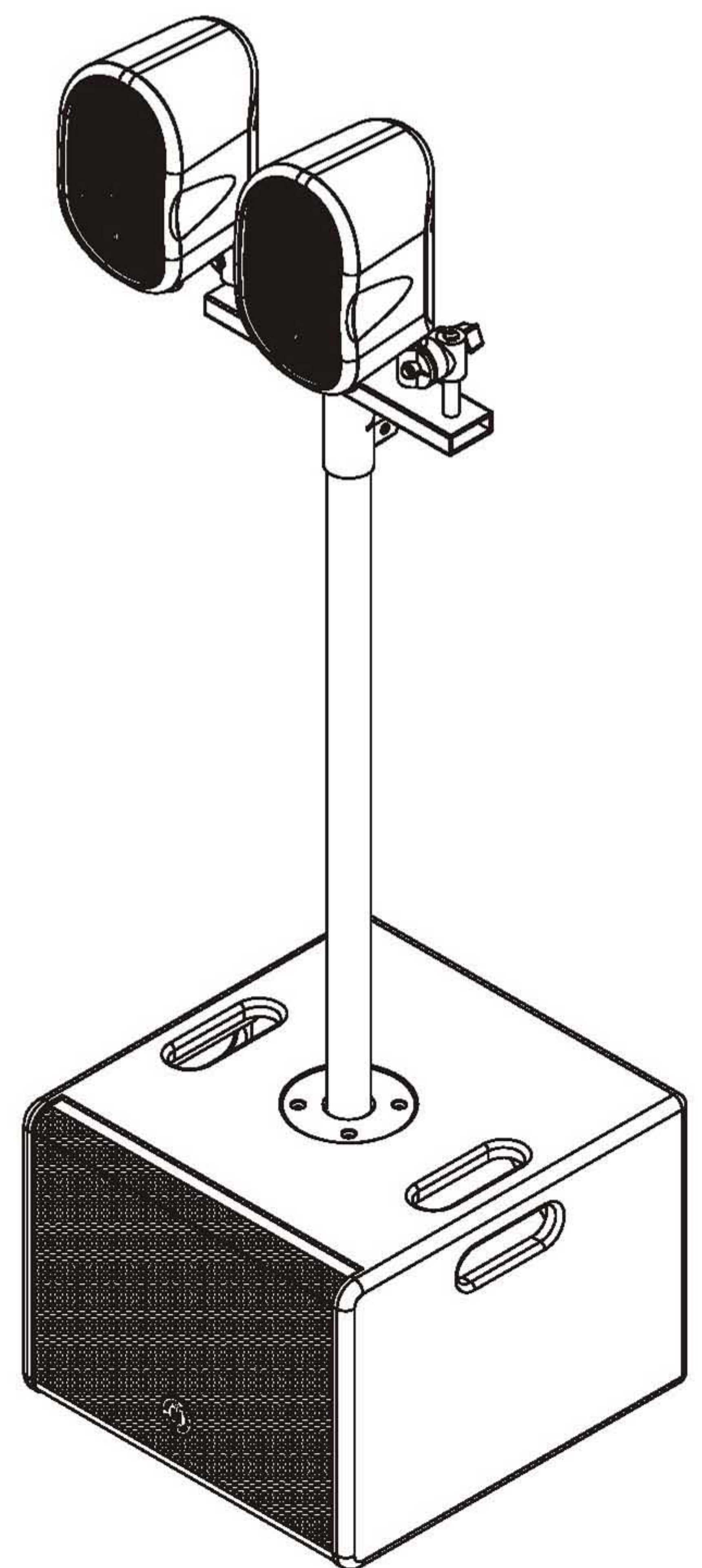
SERIES

USER'S MANUAL

MAXX 8A SUB / TAP 40A

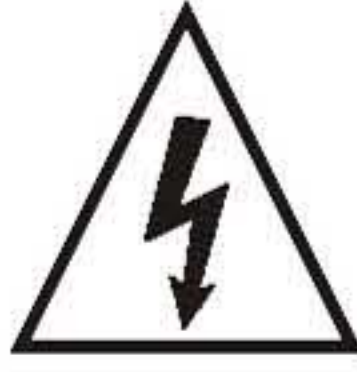


MAXX 8A SUB



MAXX 8A SUB + TAP 40A PACK

Important Safety Instructions



This symbol, wherever used, alerts you to the presence of un-insulated and dangerous voltages within the product enclosure. These are voltages that may be sufficient to constitute the risk of electric shock or death.



This symbol, wherever used, alerts you to important operating and maintenance instructions.

Please read.



Protective Ground Terminal



AC mains (Alternating Current)



AC mains (Alternating Current)

ON:

Denotes the product is turned on.

OFF:

Denotes the product is turned off.

WARNING

Describes precautions that should be observed to prevent the possibility of death or injury to the user.



CAUTION

Describes precautions that should be observed to prevent damage to the product.

Disposing of this product should not be placed in municipal waste but rather in a separate collection.

WARNING

Power Supply

Ensure that the source voltage (AC outlet) matches the voltage rating of the product. Failure to do so could result in damage to the product and possibly the user. Unplug the product before electrical storms occur and when unused for long periods of time to reduce the risk of electric shock or fire.

External Connection

Always use proper ready-made insulated mains cabling (power cord). Failure to do so could result in shock/death or fire. If in doubt, seek advice from a registered electrician.

Do Not Remove Any Covers

Within the product are areas where high voltages may present. To reduce the risk of electric shock do not remove any covers unless the AC mains power cord is removed. Covers should be removed by qualified service personnel only.

No user serviceable parts inside.

Fuse

To prevent fire and damage to the product, use only the recommended fuse type as indicated in this manual. Do not short-circuit the fuse holder. Before replacing the fuse, make sure that the product is OFF and disconnected from the AC outlet.

Protective Ground

Before turning the unit ON, make sure that it is connected to Ground. This is to prevent the risk of electric shock.

Never cut internal or external Ground wires. Like wise, never remove Ground wiring from the Protective Ground Terminal.

Operating Conditions

Always install in accordance with the manufacturer's instructions.

To avoid the risk of electric shock and damage, do not subject this product to any liquid/rain or moisture.

Do not use this product when in close proximity to water.

Do not install this product near any direct heat source.

Do not block areas of ventilation. Failure to do so could result in fire.

Keep product away from naked flames.

IMPORTANT SAFETY INSTRUCTIONS

Read these instructions

Follow all instructions

Keep these instructions. Do not discard.

Heed all warnings.

Only use attachments/ accessories specified by the manufacturer.

Power Cord and Plug

Do not tamper with the power cord or plug. These are designed for your safety.

Do not remove Ground connections!

If the plug does not fit your AC outlet seek advice from a qualified electrician.

Protect the power cord and plug from any physical stress to avoid risk of electric shock.

Do not place heavy objects on the power cord. This could cause electric shock or fire.

Cleaning

When required, either blow off dust from the product or use a dry cloth.

Do not use any solvents such as Benzol or Alcohol.

For safety, keep product clean and free from dust.

Servicing

Refer all servicing to qualified service personnel only.

Do not perform any servicing other than those instructions contained within the User's Manual.

The mains plug or an appliance coupler is used as the disconnect device, the disconnect device shall remain readily operable.

MAXX8A SUB are Subwoofers for professional use.

They can be used in following electromagnetic environment: residential, commercial and light industrial, urban outdoors. They are the apparatus

Not intended for rack mounting.

PORTABLE CART WARNING



Carts and stands - The component should be used only with a cart or stand that is recommended by the manufacturer.

A component and cart combination should be moved with care. Quick stops, excessive force, and uneven surfaces may cause the component and cart combination to overturn.

1

INTRODUCTION

Thank you for choosing TOPP PRO products.

Our professional Audio Products are designed and tested by a highly qualified engineering team with more than 30 years of experience. Great pride & care are placed in delivering the products with excellent performance, specifications and dependable reliability.

Also great emphasis is placed in creating and bringing to market products that can fill multiple applications and also offer customer exceptional value. Every TOPP PRO Audio products is tested and must comply to very strictly standards.

Please carefully read this manual before operation.

2

FEATURES

These series products include active speaker cabinets, subwoofer, and complete packages.

a) ACTIVE SPEAKERS:

1. TAP40A

b) SUBWOOFER:

1. MAXX8A SUB

c) PACKAGES:

1. MAXX8A SUB+TAP40A PACK(TAP40A+MAXX8A SUB+Mixer)

These products are design to provide a cost effective high grade solution, and they can be used for all kinds of applications, such as churches, conference center, disco, etc. You can select right model according to your request.

3

USEFUL DATA

Please write your serial number here for future reference.

Serial Number:

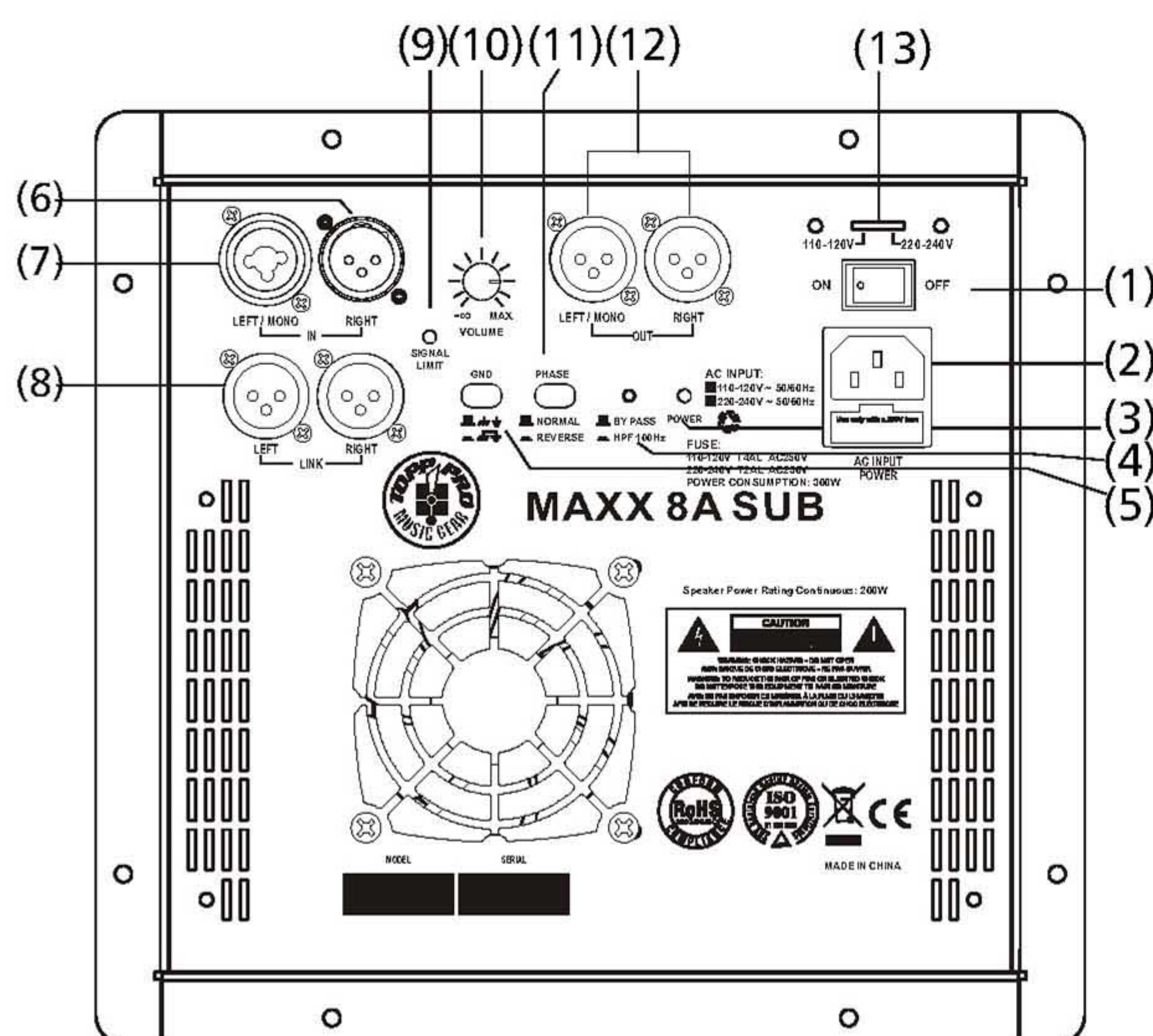
Data of Purchase:

Purchased at:

REAR PANEL DESCRIPTION

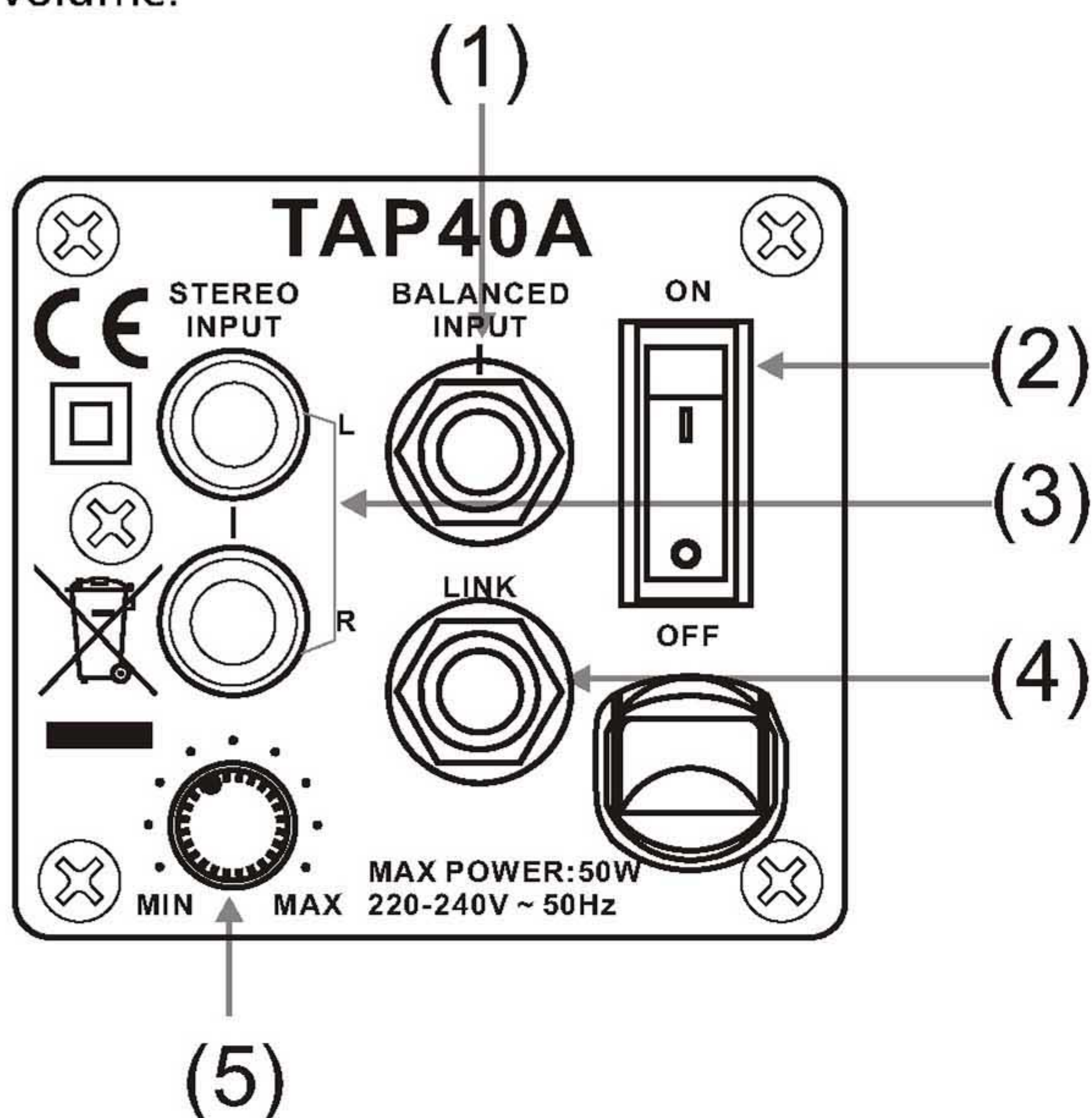
ACTIVE SUBWOOFER MAXX8A SUB

- (1) ON-OFF main power switch
- (2) Input AC power socket with main fuse
- (3) POWER, Green LED, indicate ON status
- (4) BYPASS Switch Select High pass filter or bypass
- (5) Ground Lift Switch
- (6) LINE IN RIGHT.ON XLR CONNECTOR
- (7) LINE IN LEFT/MONO ON COMBO CONNECTOR
- (8) LINK LEFT/RIGHT ON XLR CONNECTOR
- (9) SIGNAL/LIMIT, Red LED, indicate ON status
- (10) VOLUME main power amplifier control
- (11) PHASE Switch Reverse the Polarity of SUB OUT
- (12) OUT LEFT/RIGHT ON 2xXLR CONNECTOR
- (13) POWER SWITCH SELECTOR



TAP40A

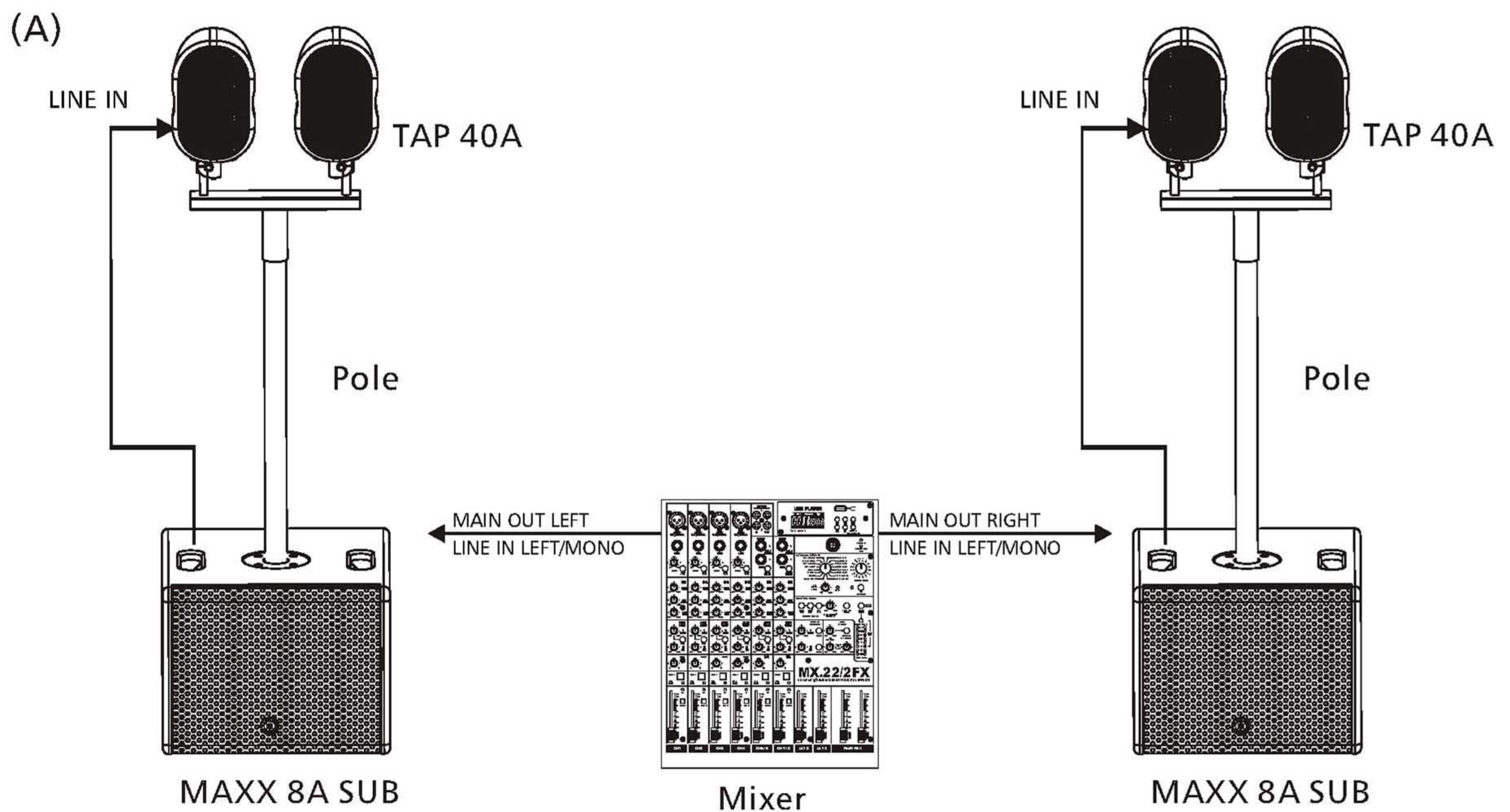
- 1- Balanced input
- 2- ON/OFF switch
Use this switch to switch on/off power supply.
- 3- Stereo Input
It is used to input stereo signal.
- 4- LINK
It is used for outer signal output and be connected with other active speaker cabinets.
- 5- Volume Control
It is used to adjust the main volume.



5 CONNECTION PLATE

Two Active Subwoofers & Two Active Satellite Speakers

- 1) Make your initial connections with all the equipment powered off, and ensure that all the main volume controls are turned completely.
 - 2) Connect one side of the signal cable at your audio mixer into OUTPUT LEFT/RIGHT, and the other side of the cable into the LINE INPUT of your active subwoofers.
 - 3) Connect one side of another signal cable at your active subwoofers into LINK LEFT/RIGHT or OUT LEFT/RIGHT, and the other side of the cable into the LINE INPUT LEFT/RIGHT of your active satellite speakers.
- *If you connect into the OUT LEFT/RIGHT, and press the BYPASS switch, the 100Hz HPF will be activated.
- 4) Connect the power cords to main.
 - 5) Turn on your mixer first, then the active speaker cabinets.
 - 6) Turn up the volume controls of the active speaker cabinets.
 - 7) Use PFL function to get the proper input level for the mixer, and adjust the Main Mix Level.
 - 8) After using, turn off your active speaker cabinets first, then the mixer.



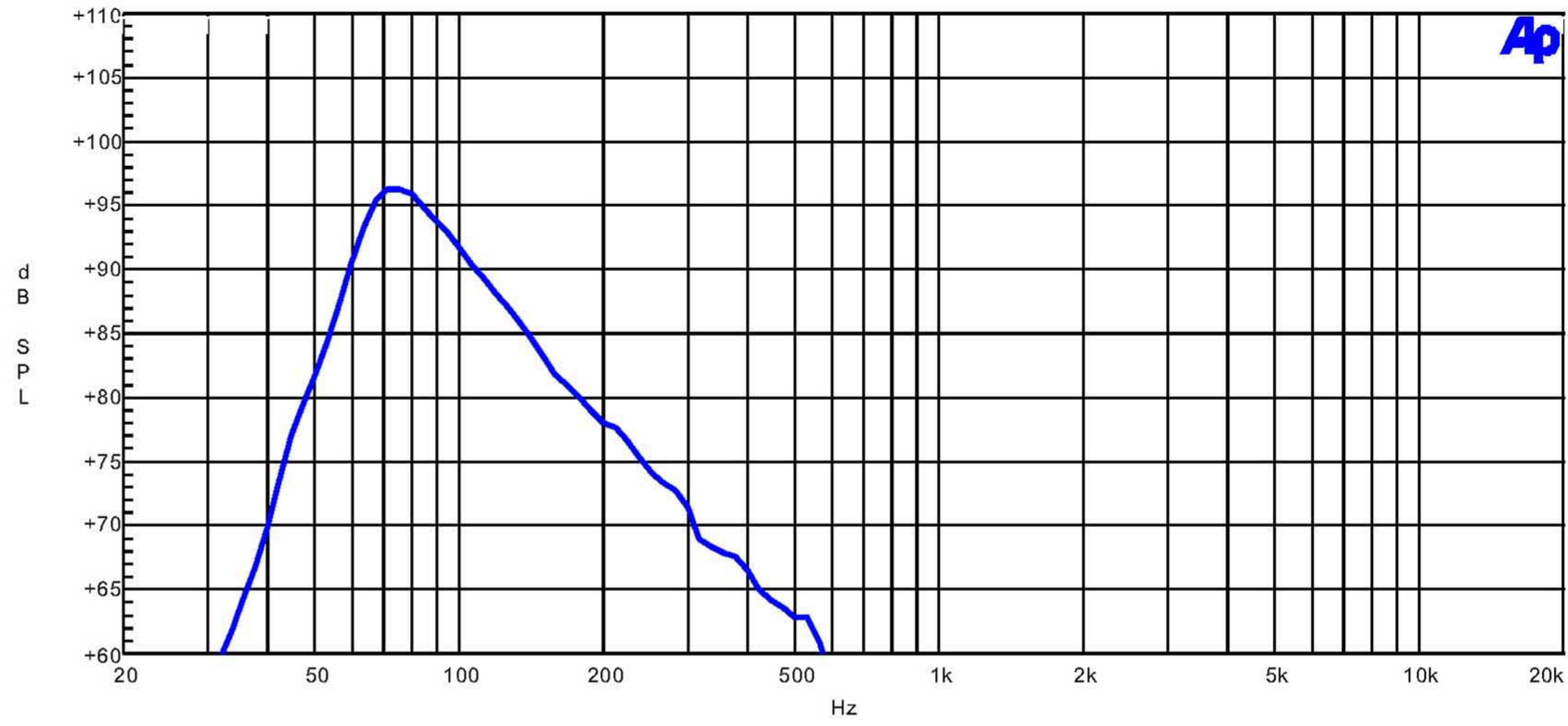
FREQUENCY RESPONSE DIAGRAM

6

Audio Precision

MAXX 8A SUB

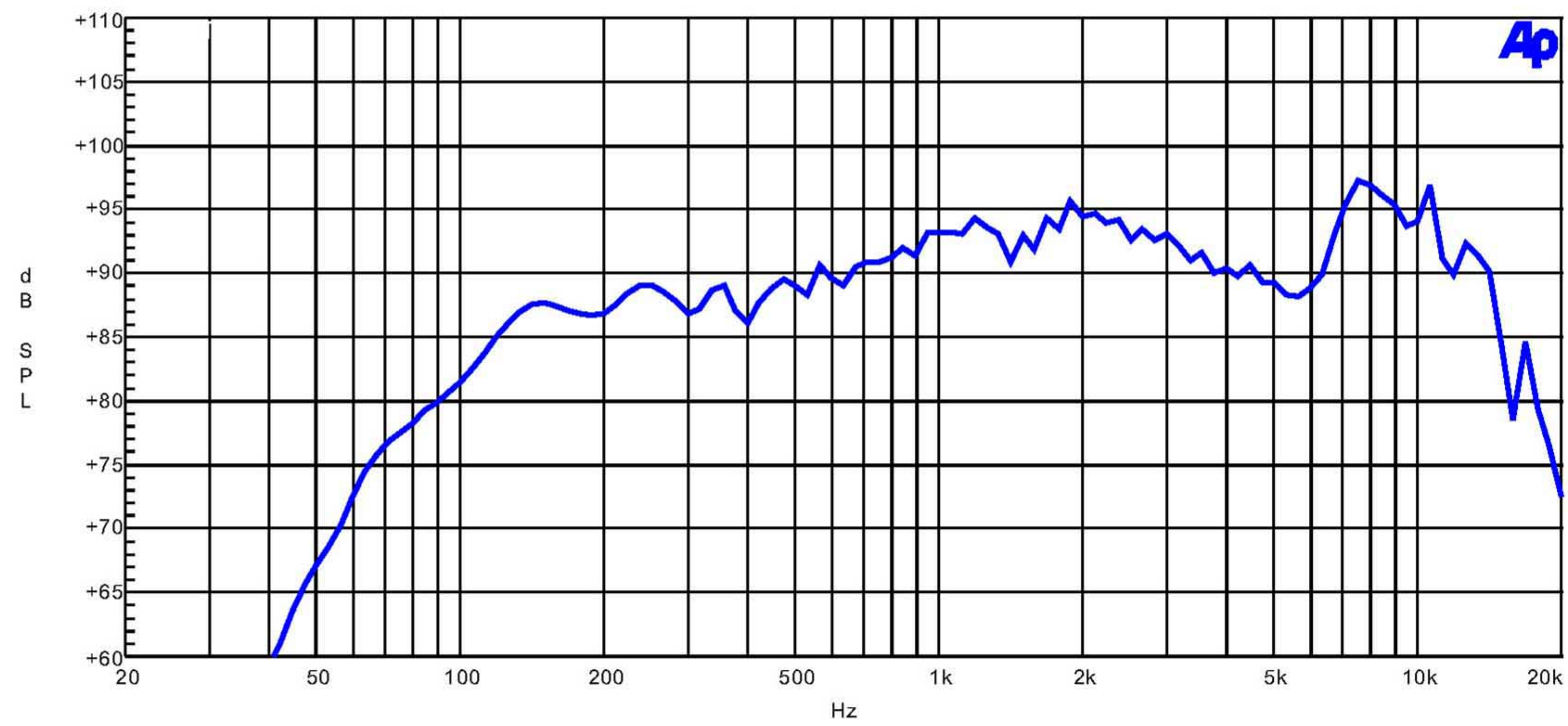
06/12/12 16:35:28



Audio Precision

TAP 40A

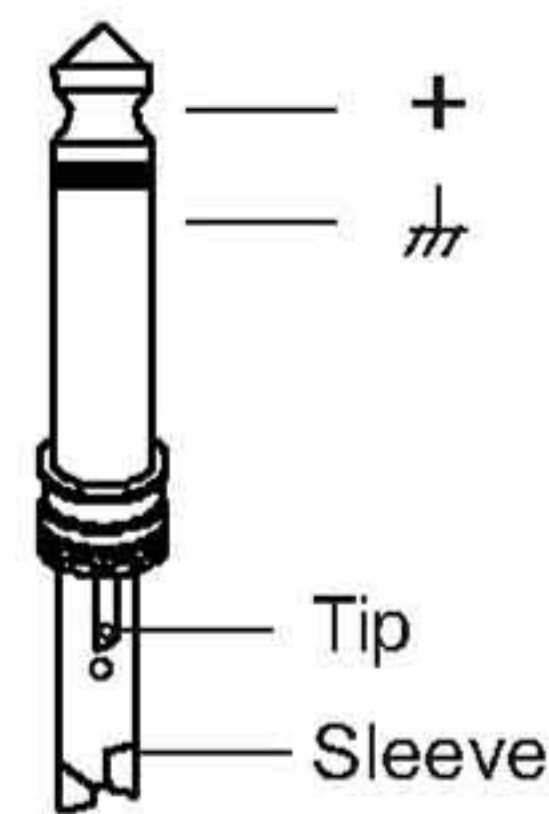
07/23/10 15:52:59



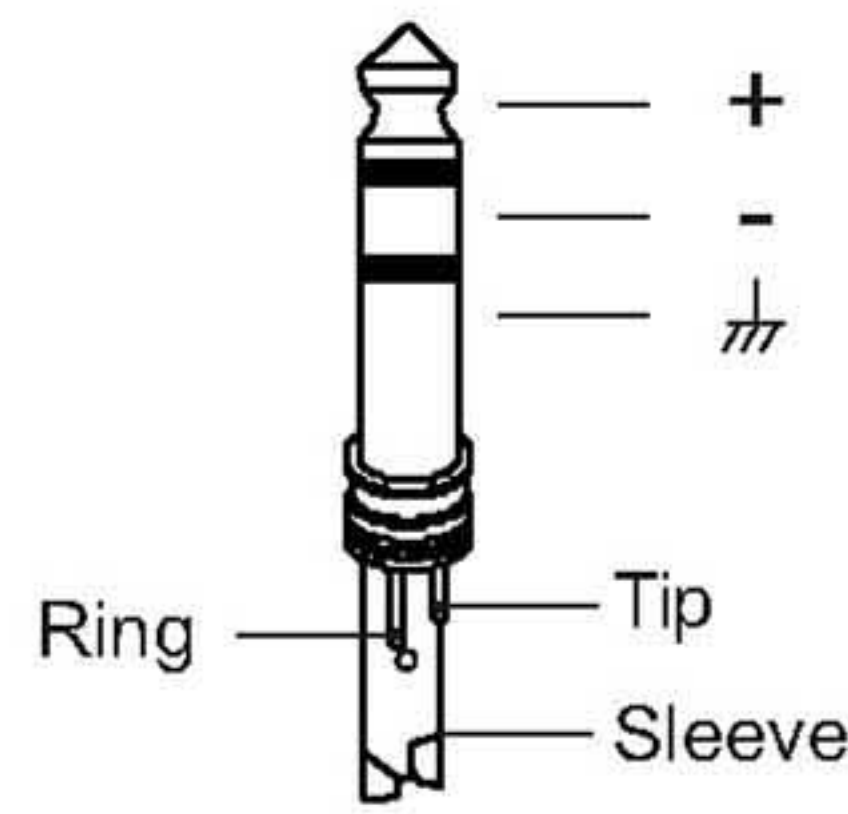
7 WIRE CONNECTIONS

Either the 1/4" TRS phone jack or XLR connector can be wired in balanced and unbalanced modes, which will be determined by the actual application status, please wire your system as the following wiring examples:

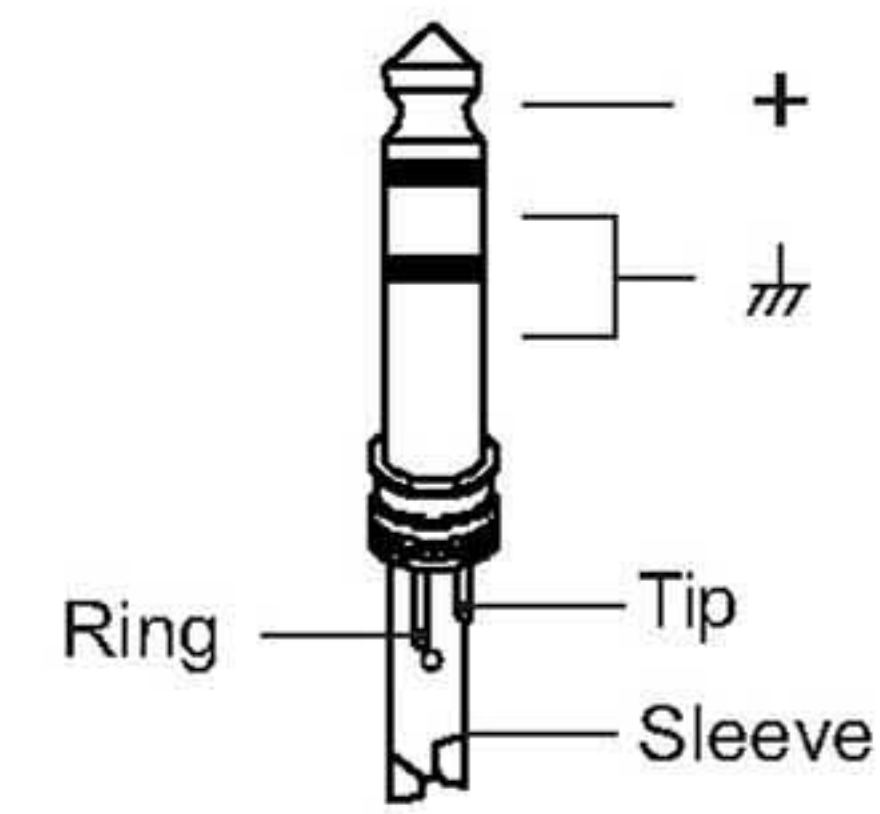
- For 1/4" Phone jack



TS Type Unbalanced

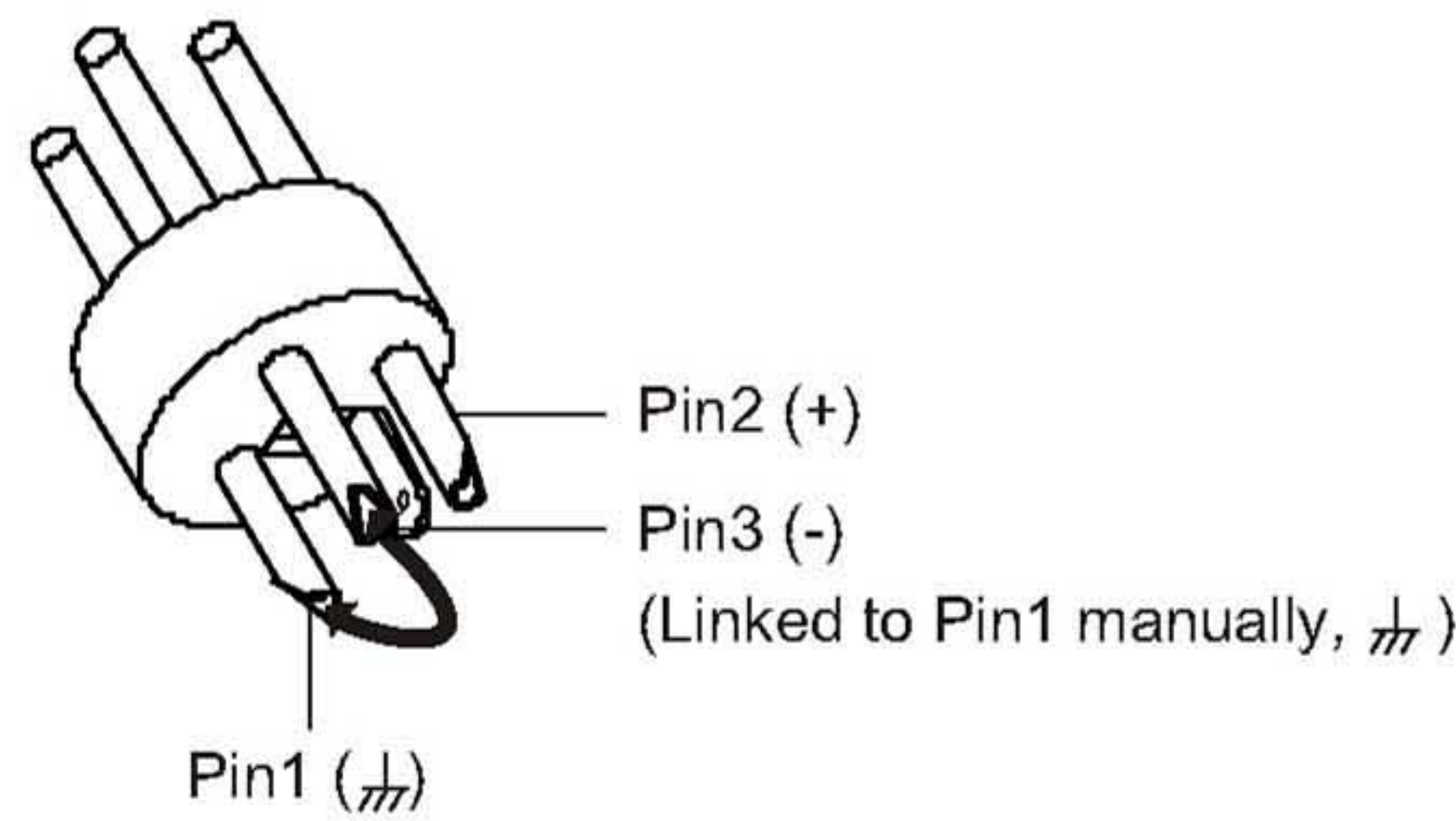


TRS Type Balanced

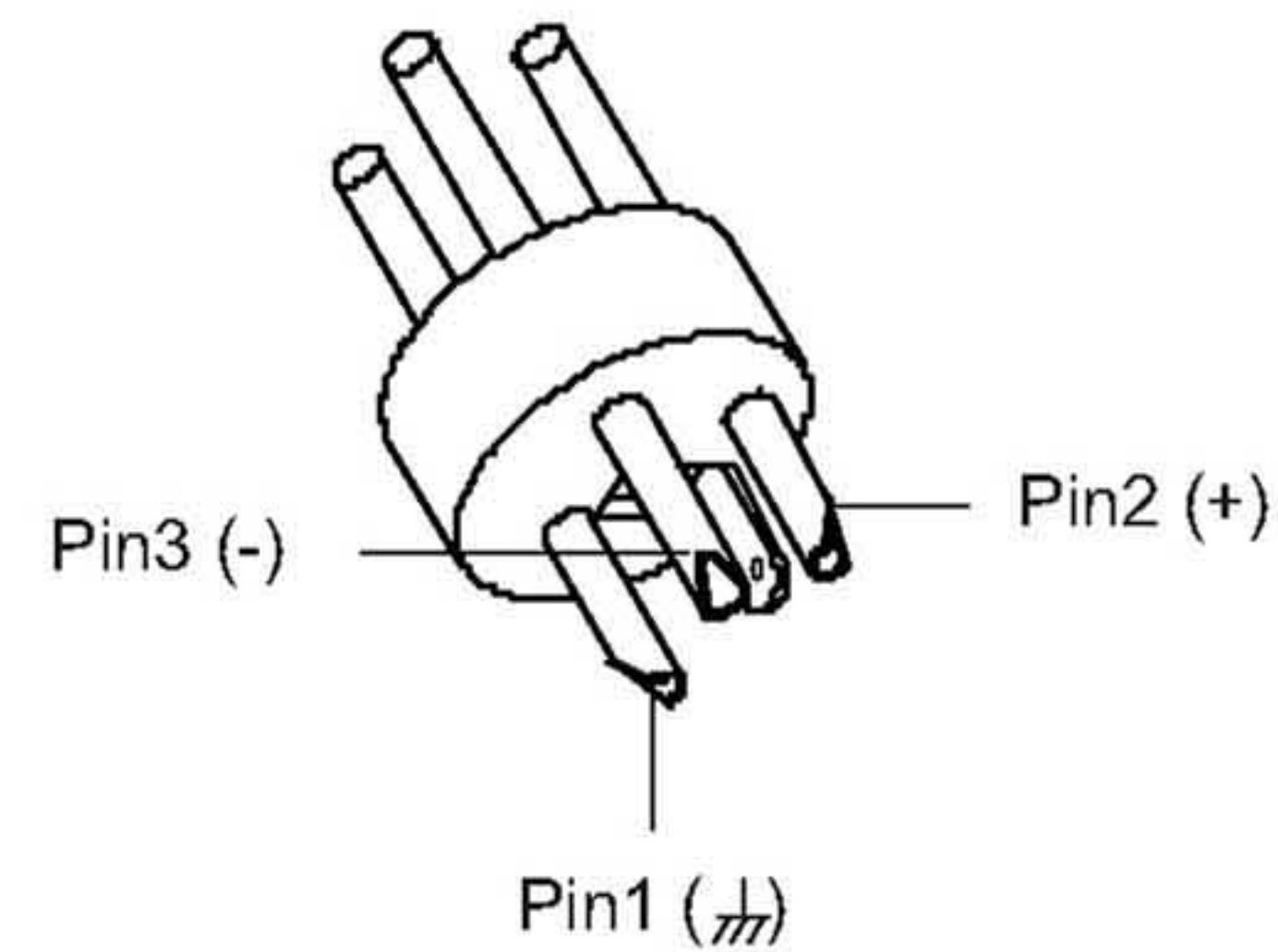


TRS Type Unbalanced

- For XLR Connector



XLR Type Unbalanced

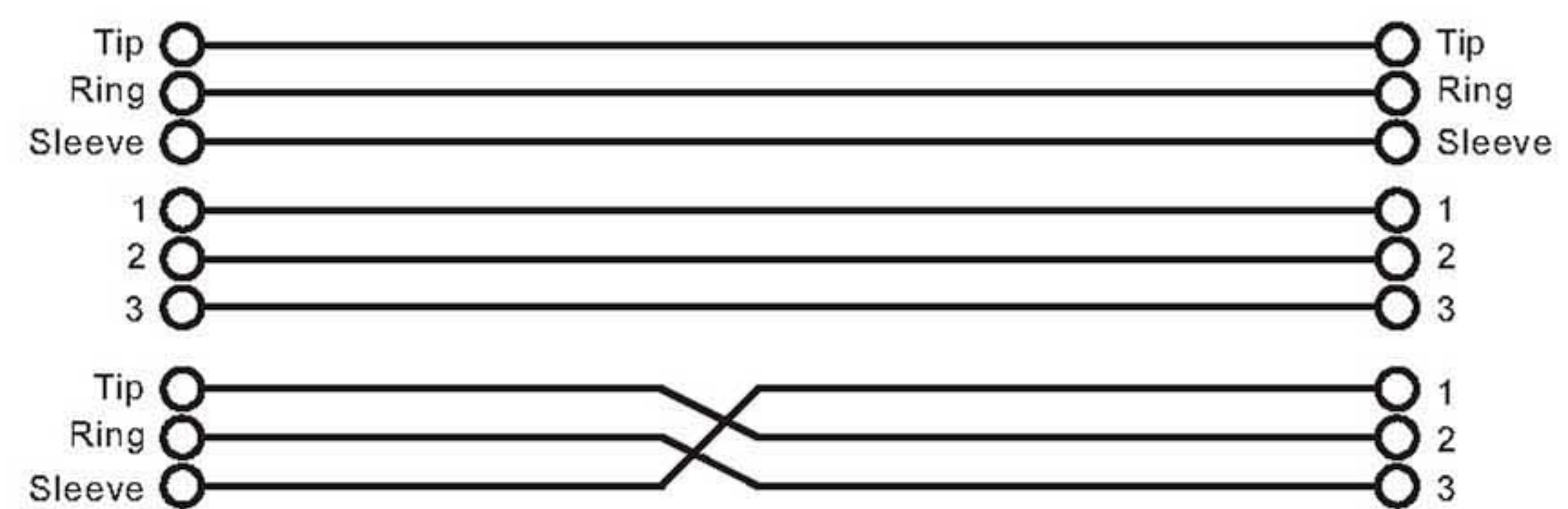
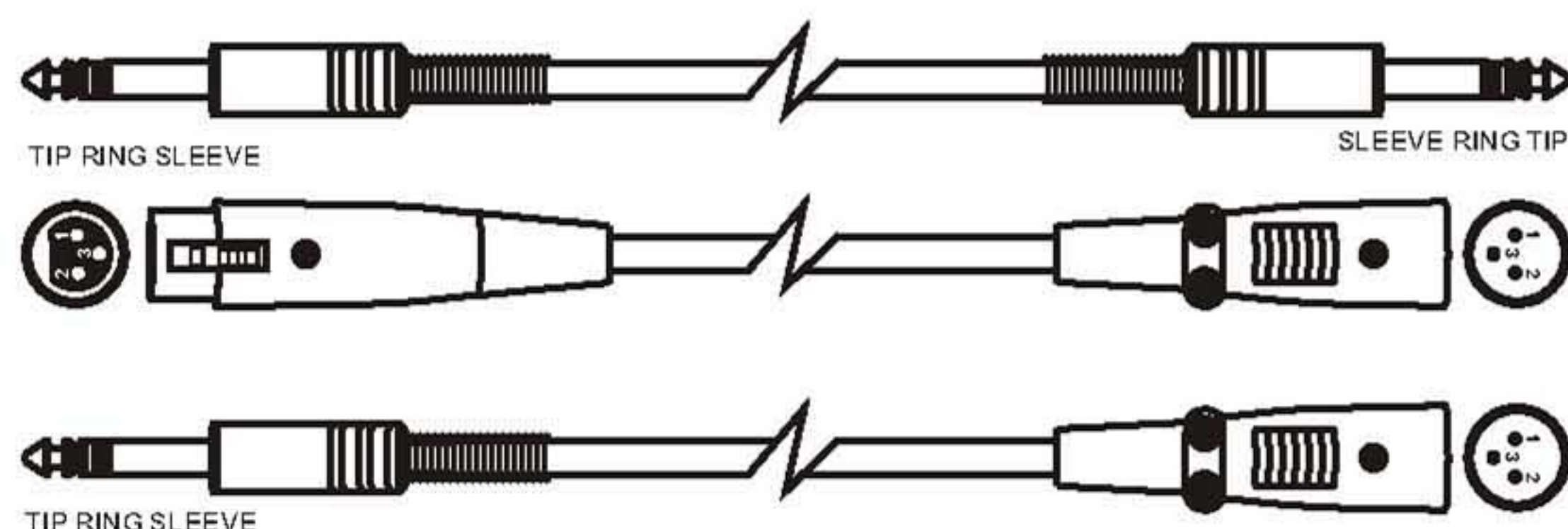


XLR Type balanced

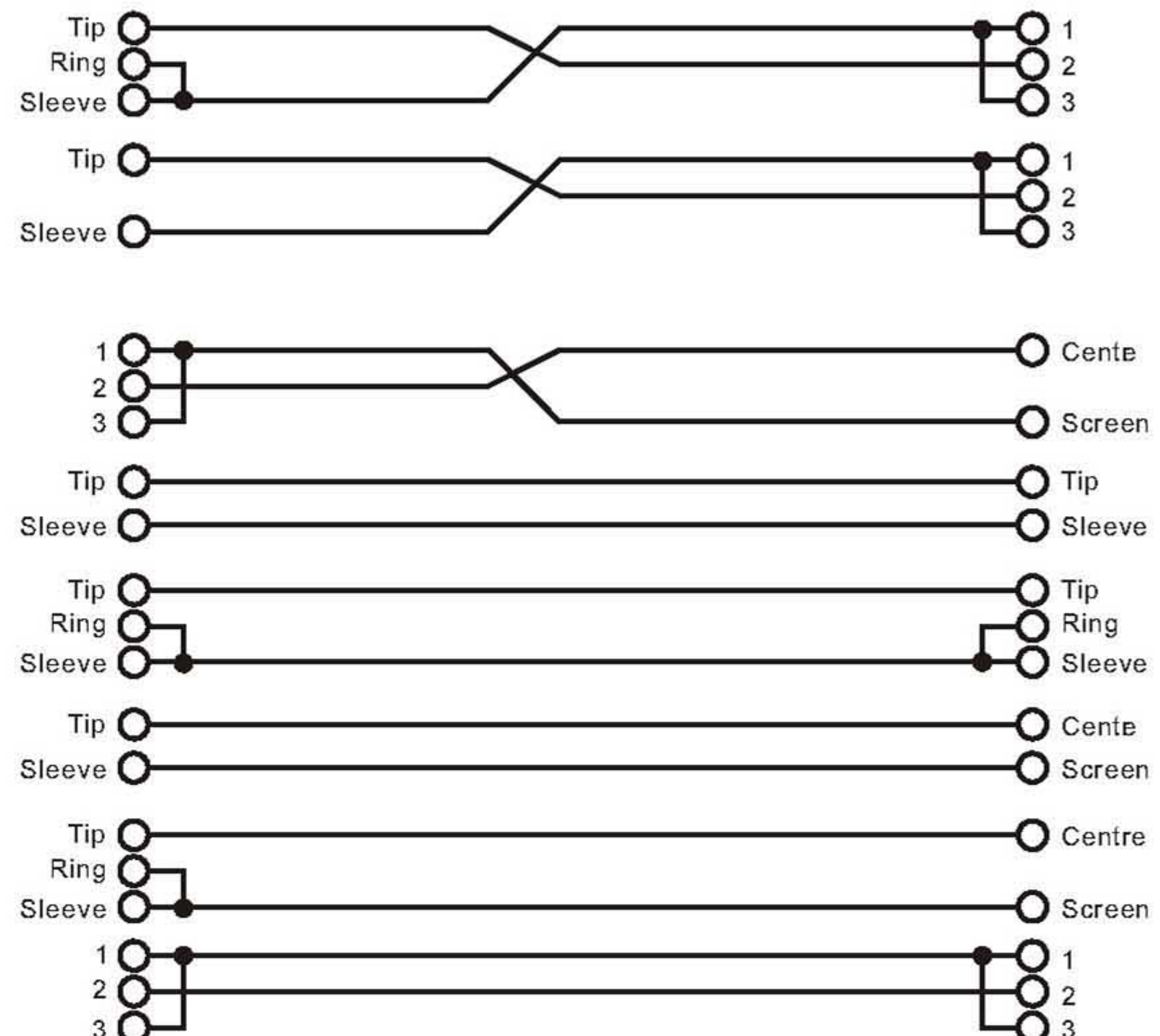
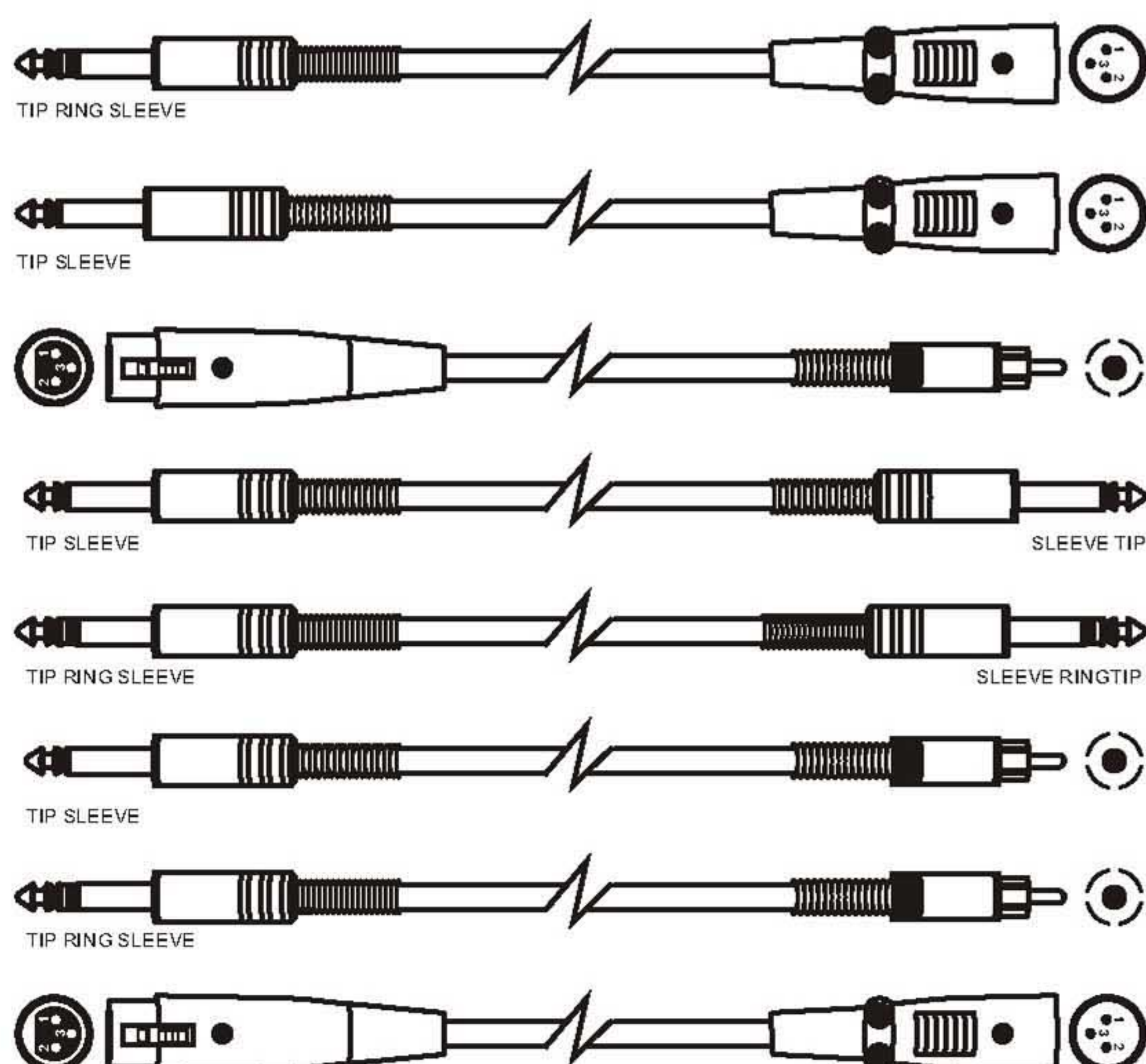
In-line Connection

For these applications the unit provides 1/4" TRS and XLR connectors to easily interface with most professional audio devices. Follow the configuration examples below for your particular connection.

- Balanced

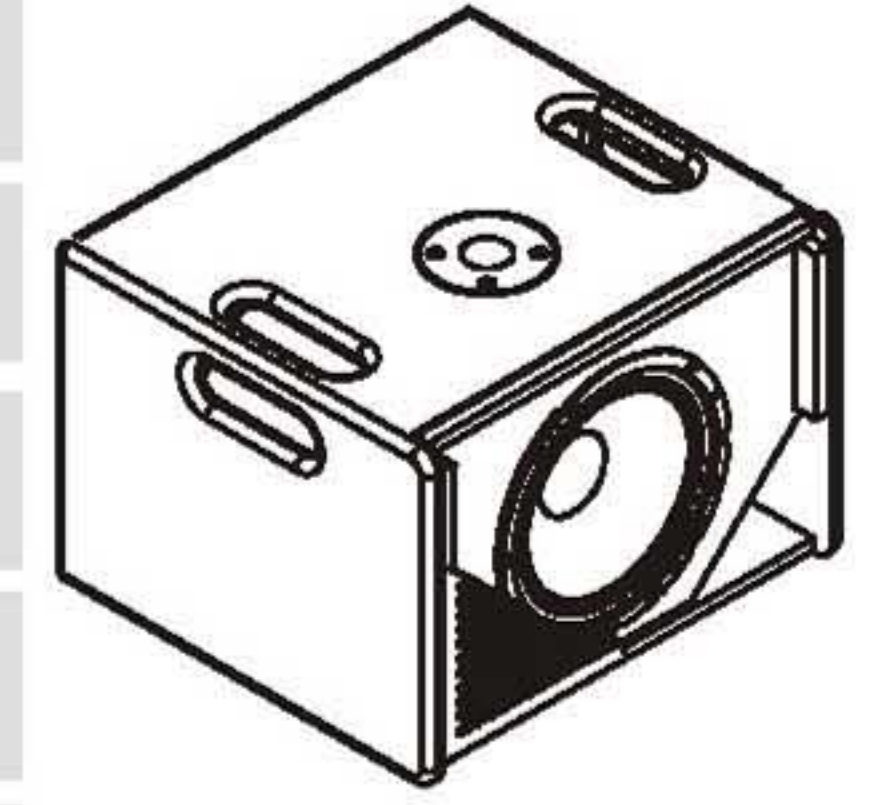


- Unbalanced

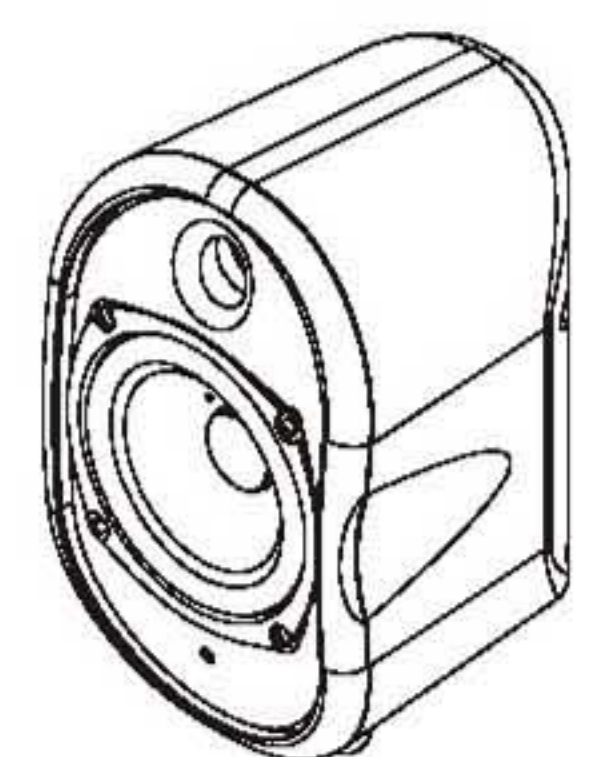


TECHNICAL SPECIFICATIONS

Model Active	MAXX8A SUB
System Type	8 " Active Subwoofer Speaker Cabinet
Program Power	400W
Peak Power	800W
Frequency Response	55Hz-120Hz(-6dB)
SPL(1W1M)	92 dB/115dB Max
Transducer Low	8" woofer-2" Voice Coil. with ventilation
Active Crossover	HPF100Hz under analog processor
Input Connectors	L-R (COMBO/ XLR - F) / L-R Link (2 - XLR - M) L-R Output (2-XLR-M) Balanced (15kOhms)
Input Level	L-R Line Input 0dBu
External Connectors	Volume Control/Power on with Green LED/Clip Limiter with RED LED/ Ground Lift / Phase Switch / HPF 100Hz Bypass
Power Supply	110-120V/ 220 - 240V 50/60Hz
Enclosure	Painted Plywood Cabinet. Black Metal Grille Protection
Dimension (H x W x D)	285 x 375 x 396mm (11.22"x14.76"x15.59")
Net weight	12.4kg/27.34lbs
Volume	2.81 CFT



Model	TAP40A
System Type	Active speaker cabinet
Speaker	4"(106mm)paper cone speaker 1"(25.4mm)voice coil diameter
SPL at 1m/1w	90 dB(±3dB)
Frequency Response(-10dB)	76Hz-18KHz
Impedance	4Ω
Power Rating	30W (RMS)
Connector	Input-RCA and ϕ 6.3 Balanced/ Output-link ϕ 6.3 Jack
External Controls	Volume control/Power switch
Power Supply	110V-120V~ 50/60Hz 220V-240V~ 50/60Hz
Dimensions	136 x 140 x 206mm(8.45" x 8.70 x 8.11")
Weight	2.40kg/5.29lbs



9

GUARANTEE

Topp Pro guarantees the normal operation of the product against any defect of manufacture and/or vice of material, by the term of (12) months, counted as of the date of purchase on the part of the user, committing itself to repair or to change, to its election, without position some, any piece or component that will fail in normal conditions of use within the mentioned period.

This guarantee is valid if the original buyer will have to present /display this certificate properly sealed and signed by the selling house, accompanied by the corresponding invoice of purchase where it consisted the model and serial number of the acquired equipment.

The guarantee does not cover:

- Damages caused by the illegal use of the product, repair and / or nonauthorized modification conducted by people by Topp Pro.
- Damages caused by the connection of the equipment to other equipment different from the specified ones in the manual of use, or by bad connection to these last ones.
- Damages caused by electrical storms, blows and / or incorrect transport.
- Damages caused by excesses or falls of tension in the network or by connection to networks with a tension different from the required one by the unit.
- Damages caused by the presence of sand, acid of batteries, water, or any strange element inside the equipment.
- Deteriorations produced by the course of the time, use and/or normal wear of the unit.
- Alteration or absence of the serial number of factory of the equipment.

The repairs could only be carried out the authorized technical service by Topp Pro, that will inform about the term and other details into the repairs to take place according to this guarantee.

Topp pro, will repair this unit in counted a term nongreater to 30 days as of the date of entrance of the unit to the Technical Service. In those cases in that due to the particularity of the spare part, outside necessary their import, the repair time and the viability of the same one will be subject to the effective norms for the import of parts, in which case one will inquire to the user about the term and possibility into repair.

With the object of its correct operation, and of the validity of this one guarantee, this product will have to be installed and to be used according to the instructions that are detailed in the manual associate or the package of the product.

This unit will be able to appear for its repair, next to the invoice of purchase (or any other comprobante where the date of purchase consists), to its authorized distributor Topp Pro or an authorized technical center on watch by Topp Pro.

Exclusion of damages:

THE RESPONSIBILITY OF TOPP PRO BY ANY DEFECTIVE PRODUCT IS LIMITED THE REPAIR OR THE REPLACEMENT OF HE HIMSELF, TO TOPP OPTION PRO. IF WE CHOSE TO REPLACE THE PRODUCT, THE REPLACEMENT CAN BE A RECONDITIONATED UNIT. TOPP PRO WILL NOT BE RESPONSIBLE BY THE DAMAGES BASED ON THE LOST, INCONVENIENCE, LOSS OF USE, BENEFITS, LOST SAVINGS, BY THE DAMAGE TO OTHER EQUIPMENT OR OTHER ARTICLES IN THE USE SITE, OR BY ANY OTHER DAMAGE IF HE IS FORTUITOUS, CONSEQUENT OR OF ANOTHER TYPE, ALTHOUGH TOPP PRO HAS BEEN NOTICED OF THE POSSIBILITY OF SUCH DAMAGES.

Some states do not allow to exclusion or the limitation to the fortuitous or consequent damages, so the aforesaid limitation can not be applied to you.

This guarantee gives specific legal rights him, you can also have other right that varies of state to state.



TOPP PRO MUSIC GEAR

www.topppro.com

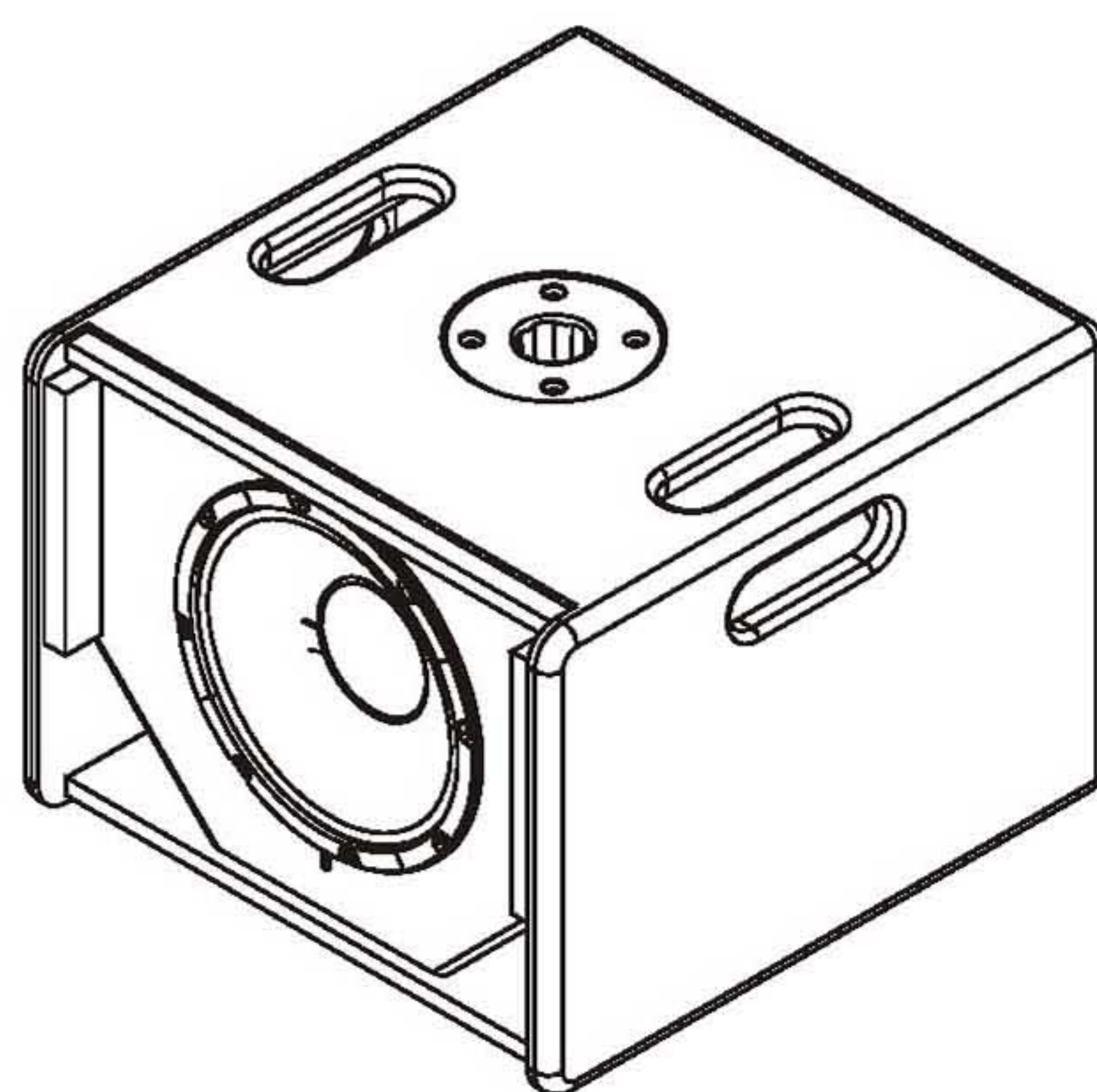
MAXX
SERIES



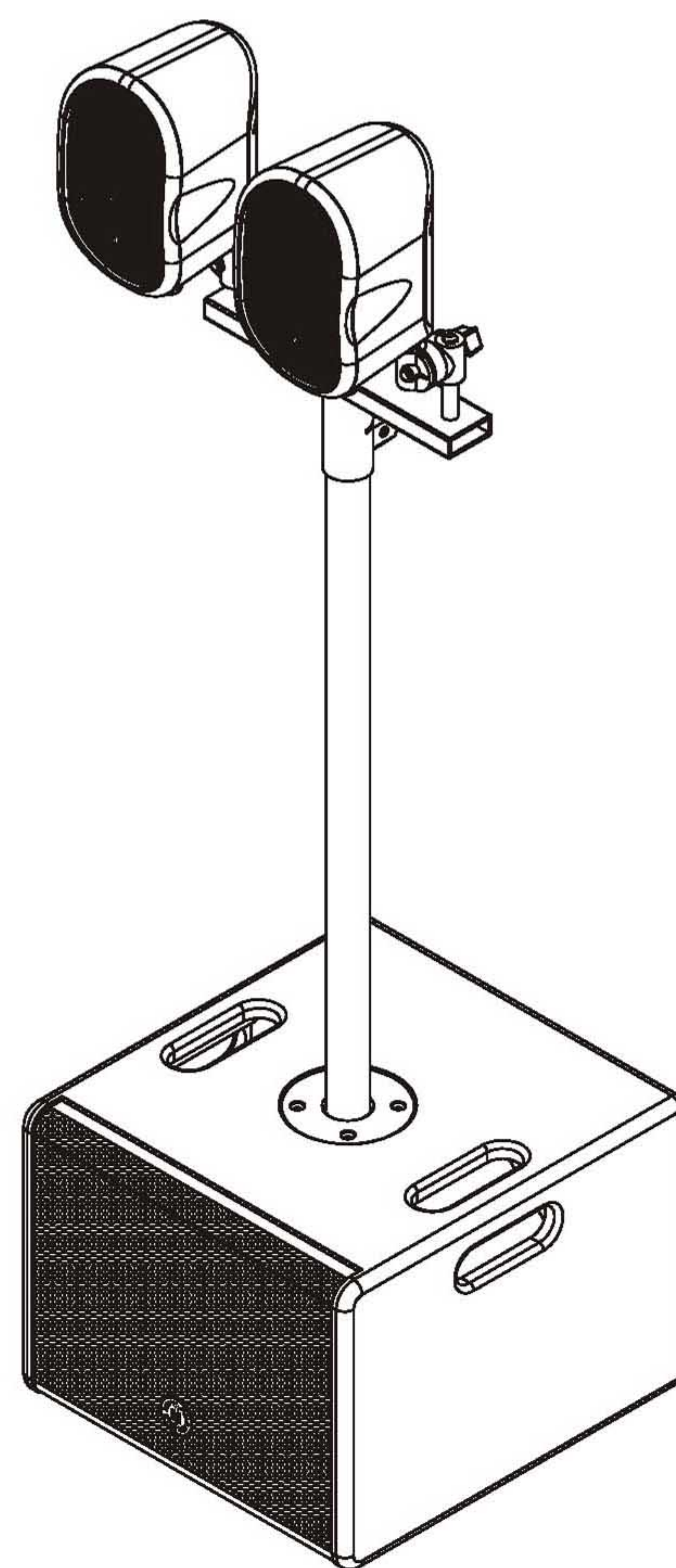
MAXX SERIES

Manual de Usuario

MAXX 8A SUB / TAP 40A



MAXX 8A SUB



MAXX 8A SUB + TAP 40A PACK

Símbolos Relacionados con Seguridad



ATENCIÓN
Para reducir el riesgo de incendio o choque eléctrico no exponga este aparato a la lluvia o humedad.

No remueva los paneles
En el interior del producto hay áreas en las que hay altos voltajes. No quite los paneles hasta desconectar el cable de la red principal de alimentación. Los paneles deben ser removidos solo por personal de servicio calificado. No hay partes útiles para el usuario en el interior.



Este símbolo siempre es utilizado para alertarle de la presencia de voltajes peligrosos dentro de ésta unidad. Estos voltajes pueden constituir suficiente riesgo de un choque eléctrico.



Este símbolo siempre es utilizado para alertarle de importantes instrucciones de operación o de mantenimiento. Por favor cuando lo vea, lea la instrucción.



Terminal de Tierra



AC Principal (Corriente Alterna)



Terminal Peligrosa Viva

ON:

Denota que la unidad está encendida

OFF:

Denota que la unidad está apagada

Advertencia: Describe precauciones que deben tomarse para prevenir la muerte o heridas del usuario.

Precaución: Describe las precauciones que deben ser observadas para prevenir daños en la unidad.

Advertencia

Fuente de Alimentación

Asegúrese de que el voltaje general es igual al voltaje del equipo antes de encender el aparato. No comprobarlo puede resultar en daños al equipo y al usuario. Desconecte el equipo ante la amenaza de tormenta eléctrica o cuando no vaya a usarse por largos periodos de tiempo.

Conexión Externa

La conexión de cableado con conectores vivos requiere que sea realizado por personal instruido o implica la utilización de cableado listo para usar. No usarlo implica riesgo de incendio o muerte.

Fusible

Para prevenir el riesgo de fuego o daños al producto, use solo el tipo de fusible recomendado en este manual. No ponga en cortocircuito el soporte del fusible. Antes de reemplazar el fusible, asegúrese que el producto está apagado y desconectado de la red de electricidad.

Conexión a Tierra

Antes de encender el equipo, asegúrese que está conectado a tierra. Esto prevendrá el riesgo de choque eléctrico. Nunca corte los cables internos o externos. Asimismo, nunca remueva la conexión a tierra.

Instrucciones de Operación

Este aparato no debe ser expuesto a salpicaduras o gotas y no se deben apoyar vasos con líquidos sobre el aparato.

No use este aparato cerca del agua.

Instale este equipo de acuerdo a las instrucciones del fabricante.

No instale el equipo cerca fuentes de calor, tales como radiadores, estufas o cerca de otros aparatos que producen calor.

No bloquee ningún orificio de ventilación. No coloque ninguna fuente de llamas vivas (por ejemplo: candelabros o velas) sobre el aparato.



No deposite ninguna parte de esta unidad en los basureros municipales. Utilice depósitos especiales para esos efectos.

ADVERTENCIA DE TRANSPORTE



Racks y Pedestales
El componente debe ser utilizado únicamente con racks o soportes recomendados por el fabricante. La combinación de un componente y rack debe moverse con cuidado. Detenciones rápidas, fuerza excesiva y superficies desparejas pueden causar que el componente, el rack o el pedestal vuelquen.

INSTRUCCIONES IMPORTANTES DE SEGURIDAD

- Lea estas instrucciones.
- Siga estas instrucciones.
- Guarde estas instrucciones.
- Tenga en cuenta todas las advertencias.
- Use solo accesorios especificados por el fabricante.

Cable de alimentación y conexión

No altere el cable y el enchufe. Un enchufe polarizado tiene 2 patas con una más ancha que la otra. Un enchufe con toma a tierra posee 2 patas y una tercera es la conexión a tierra. Son diseñados teniendo en cuenta su seguridad. **No quite la conexión a tierra!!**

Conecte el equipo a un tomacorriente cercano, de fácil acceso y con protección a tierra.

Si su enchufe no entra en su tomacorriente requiera la ayuda de un electricista calificado.

Proteja al cable y al enchufe de cualquier presión física para evitar riesgo de choque eléctrico.

No coloque objetos pesados sobre el cable de alimentación. Esto puede causar choque eléctrico o fuego.

Limpieza

De ser necesario, sople el polvo del producto o utilice un paño seco. No use solventes tales como: bencina, alcohol u otro fluido muy inflamable y volátil para limpiar el aparato.

Servicio Técnico

Para servicio técnico consulte solo con el personal de servicio calificado. Para reducir el riesgo de choque eléctrico, no realice ningún de tipo de servicio más allá del descrito en este manual.

Atención

La exposición a niveles de sonido extremadamente altos puede ocasionar la pérdida de audición de manera irreversible.

La Administración de Seguridad y Salud Ocupacional del gobierno de los Estados Unidos (OSHA), ha especificado los niveles permitidos de exposición. Estos se muestran a continuación:

Horas por día	SPL	Ejemplo
8	90	Concierto pequeño
6	92	Tren
4	95	Subterráneo
3	97	Monitoreo de alto nivel
2	100	Concierto de música clásica
1.5	102	
1	105	
0.5	110	
0.25 o menor	115	Concierto de Rock

Según la OSHA la exposición excesiva a altos niveles de SPL puede provocar sordera. Para prevenirla, recomienda que el personal que trabaja que equipos capaces de generar altos SPL, utilice protección auditiva cuando esos equipos están en operación.

Tabla de contenido

1. INTRODUCCION	4
2. CARACTERISTICAS	4
3. DATOS UTILES	4
4. PANEL TRASERO	5
5. DIAGRAMA DE CONEXIONES	6
6. RESPUESTA DE FRECUENCIA	7
7. CONFIGURACION DE ALAMBRADO	8
8. ESPECIFICACIONES TECNICAS	9
9. GARANTIA	10
10. NOTAS	11

1

Introducción

Gracias por preferir los productos **Topp Pro**. Estos productos son diseñados por un equipo de ingenieros altamente calificados en la línea de pro-audio, con más de 30 años de experiencia. Cada producto que se entrega al mercado está construido con mucho orgullo y cuidado. Fue fabricado para satisfacer múltiples necesidades y aplicaciones, ofreciendo un valor excepcional a nuestros clientes.

La creatividad y dedicación de nuestros ingenieros, junto con la última tecnología en herramientas y los últimos conceptos en diseños acústicos, crean productos para aplicaciones reales. Todos los productos **Topp Pro** están probados por los más estrictos estándares y regulaciones de la industria.

Por favor lea este manual cuidadosamente para obtener el máximo rendimiento y funcionalidad de este equipo.

2

Características

Este serie de productos incluyen bocinas activas, sub bajo y un paquete completo:

a) Bocinas Activas

TPA40A

b) Sub Bajo

MAXX8A SUB

c) Paquetes

MAXX8A SUB + TAP40A PACK (TAP40A + MAXX8A SUB + MEZCLADOR)

Estos productos están diseñados con los más altos estándares de calidad y podrán ser utilizados en toda clase de aplicaciones, tales como en Iglesias, centros de conferencias, discos, etc. Usted puede seleccionar el paquete correcto según su necesidad.

3

Datos útiles

Por favor anote aquí el número de serie para una futura referencia.

Número de Serie:

Fecha de Compra:

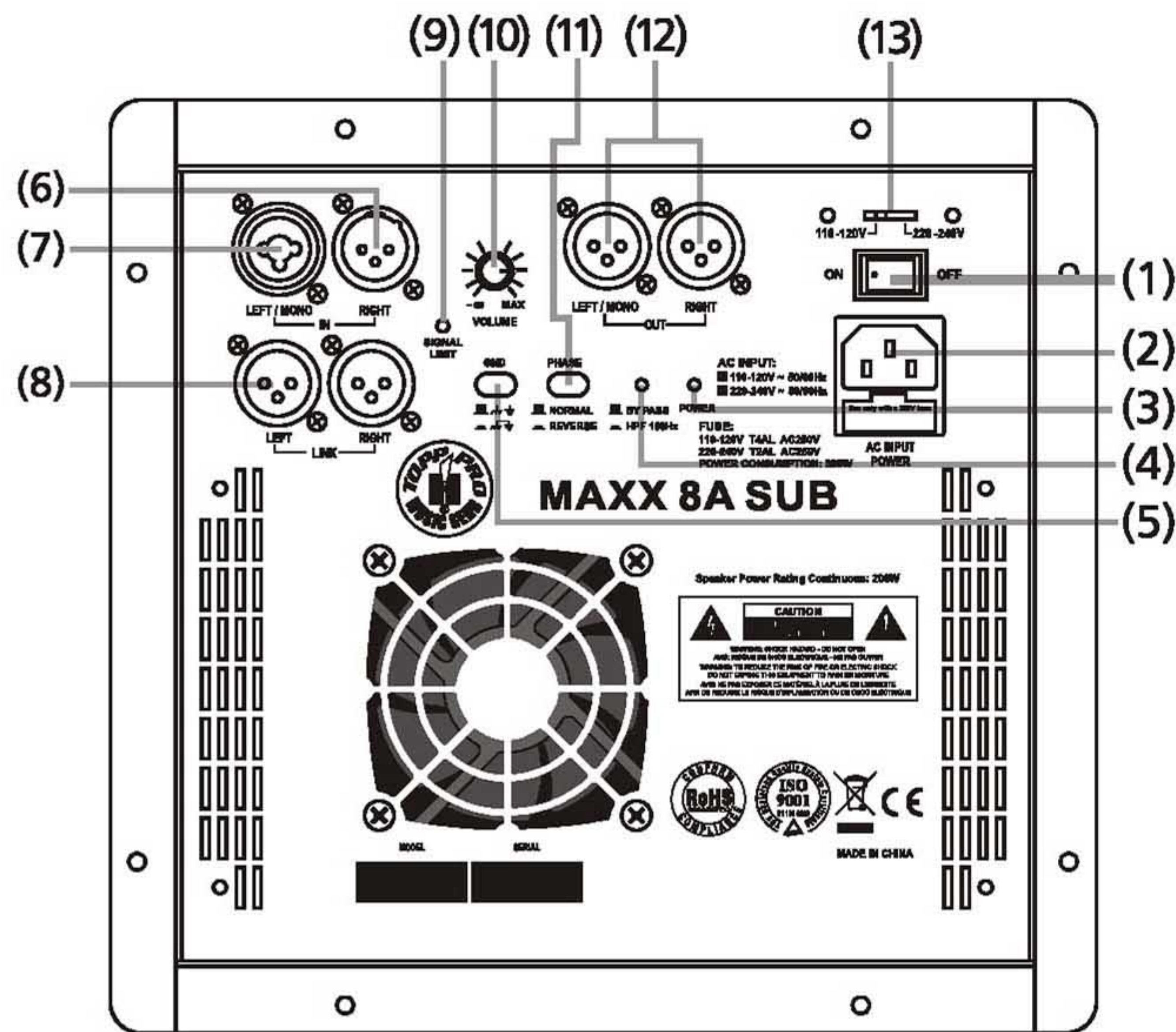
Adquirido en:

Descripción del Panel trasero

4

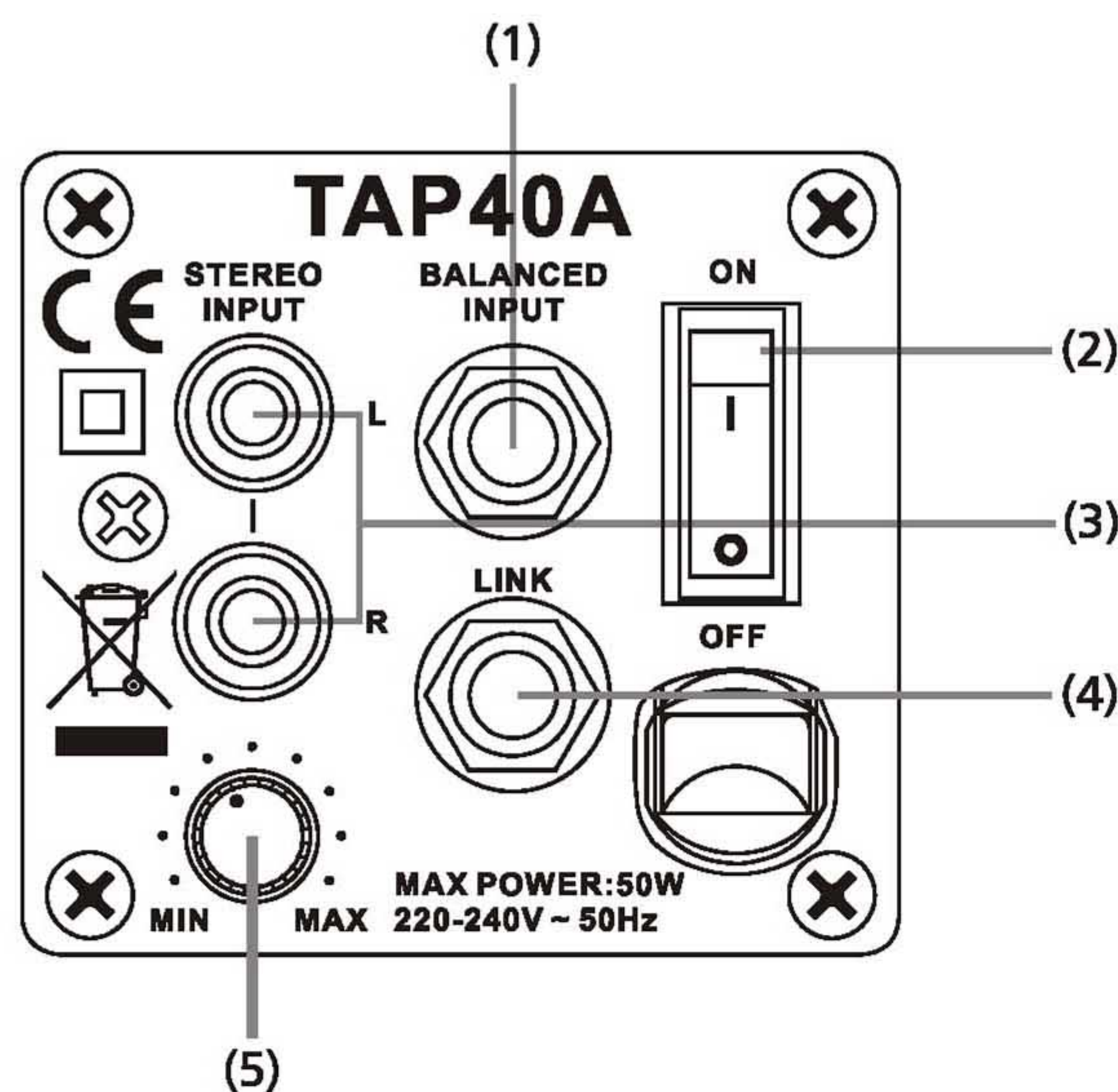
Sub Bajo Activo Maxx 8A

- 1 - Interruptor de encendido y de apagado principal
- 2 - Toma corriente principal con portafusible
- 3 - Indicador de encendido (Luz verde)
- 4 - Selector de filtro pasa alto o "bypass"
- 5 - Interruptor para levantar la tierra
- 6 - Entrada de línea derecha, conector XLR
- 7 - Entrada de línea izquierda mono, conector tipo Combo
- 8 - Conector XLR para hacer lazos Derecha/Izquierda
- 9 - Luz indicadora de señal y limitación (Luz roja)
- 10 - Control de volumen principal
- 11 - Selector de inversión de fase
- 12 - Conector de salida XLR Derecha/Izquierda
- 13 - Selector de voltaje de entrada



TPA 40A

- 1 - Entrada Balanceada
- 2 - Interruptor de encendido y de apagado principal
- 3 - Conectores tipo RCA para la entrada estéreo (L/R)
- 4 - Conector de 1/4" para hacer entrelazar dos o varias bocinas
- 5 - Control de volumen principal



5

Diagrama de Conexiones

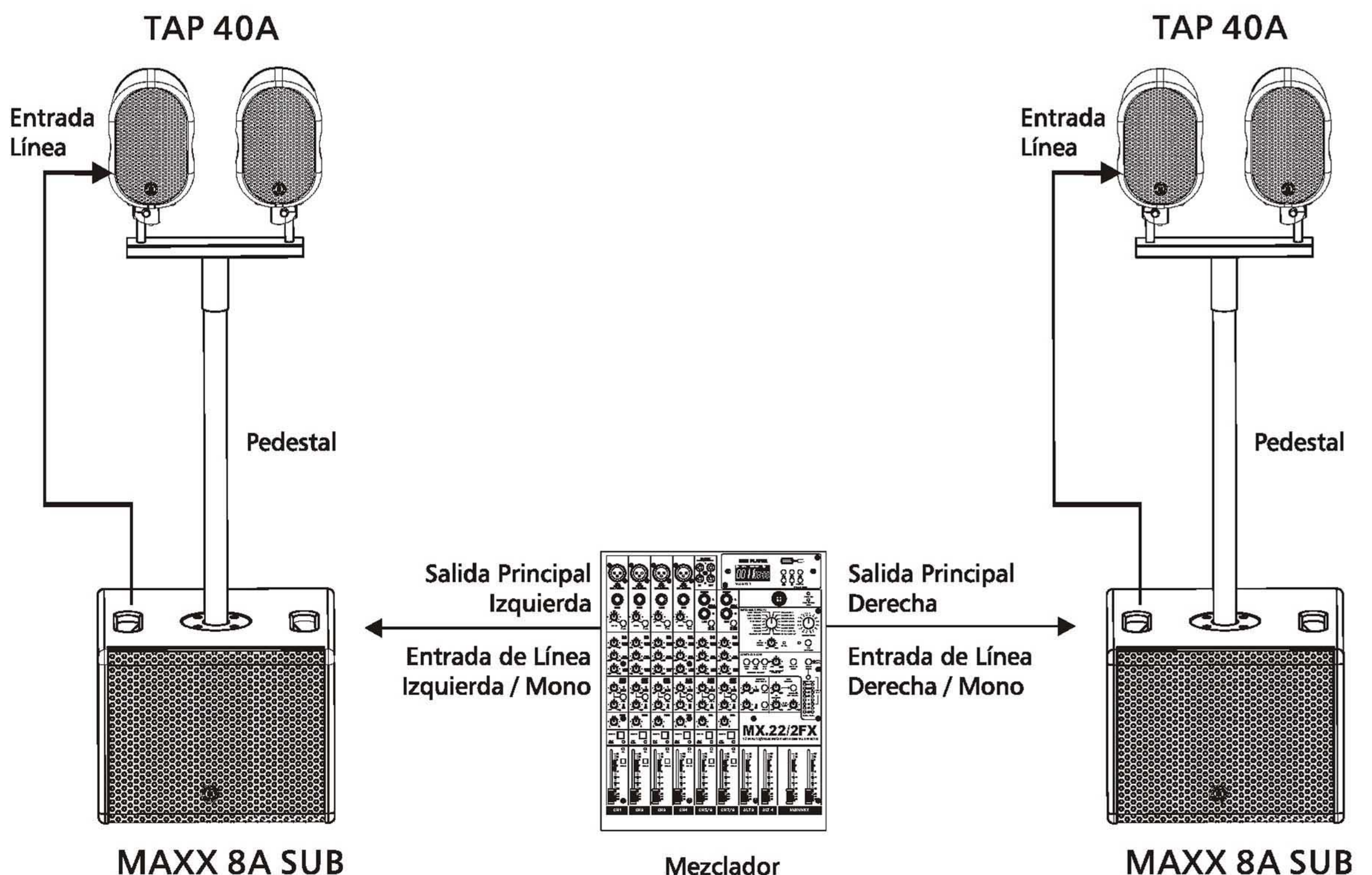
Antes de hacer cualquier conexión, asegúrese de que todo su equipo esté apagado. Además de que todos los controles de volumen estén totalmente abajo.

Sistema de 2 Satélites Activos con 2 Sub Bajos Activos:

- 1) Antes de hacer cualquier conexión, asegúrese de que todo su equipo esté apagado. Además de que todos los controles de volumen estén totalmente abajo.
- 2) Conecte uno de los lados del cable de señal a la salida izquierda / derecha de su mezclador con un conector XLR y el otro lado del cable a la entrada de línea en el conector XLR del sub bajo activo.
- 3) Conecte otro cable desde la salida "Left/Right" o desde el "Link Left/Right" en el sub bajo a las respectivas entradas de los satélites.

*Si se utiliza la salida "Left/Right" en el sub bajo, se podrá activar la función de filtro paso alto por medio del selector correspondiente, el cual envía una señal con un corte de 80Hz a los satélites.

- 4) Conecte el cable de corriente eléctrica.
- 5) Encienda su mezclador primero y después los gabinetes activos.
- 6) Suba el control de volumen de su gabinete activo hasta un 75%.
- 7) Utilice la función del PFL para ajustar la entrada del canal del mezclador y manipule el volumen de su equipo desde el control maestro.
- 8) Después de utilizar el equipo, apague primero su amplificador de poder y después el mezclador.

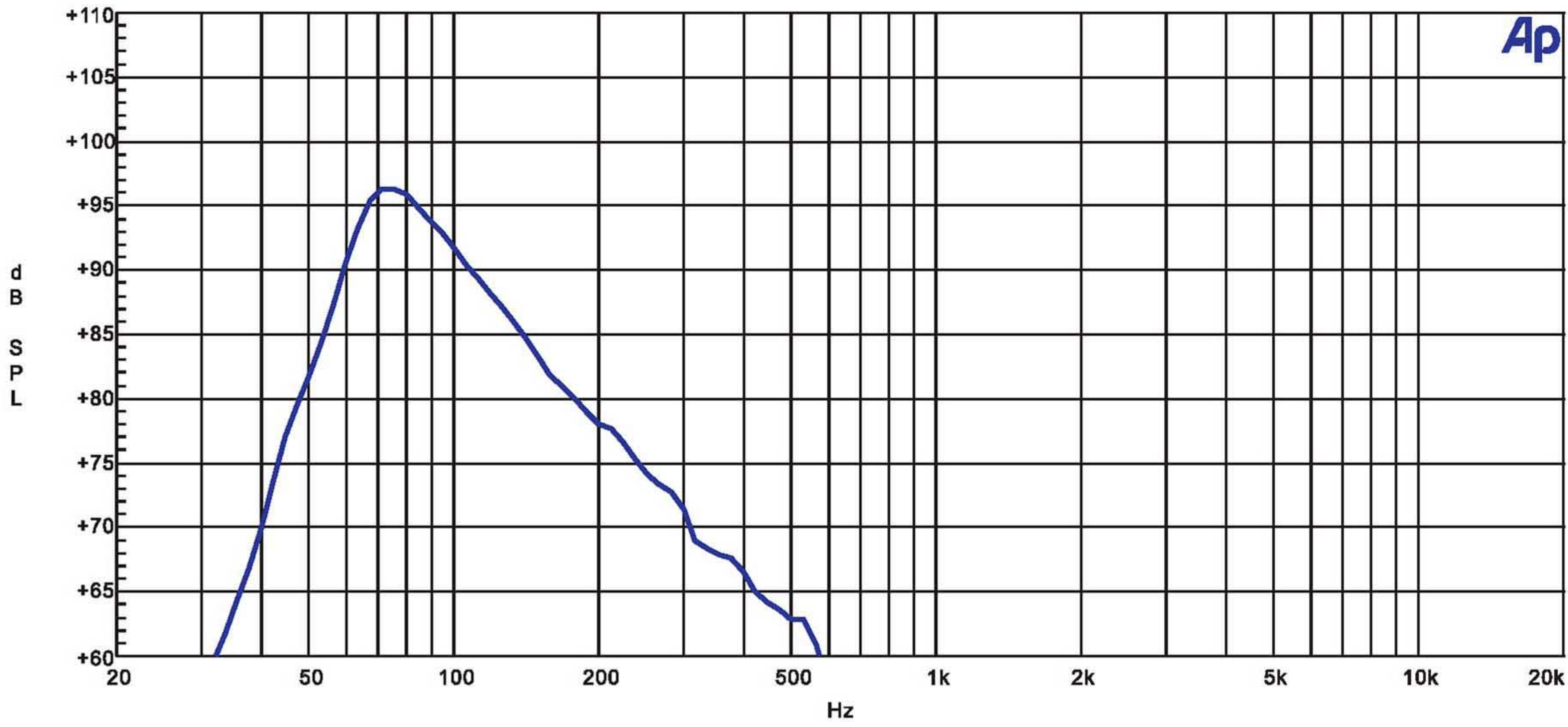


Respuesta de Frecuencia

6

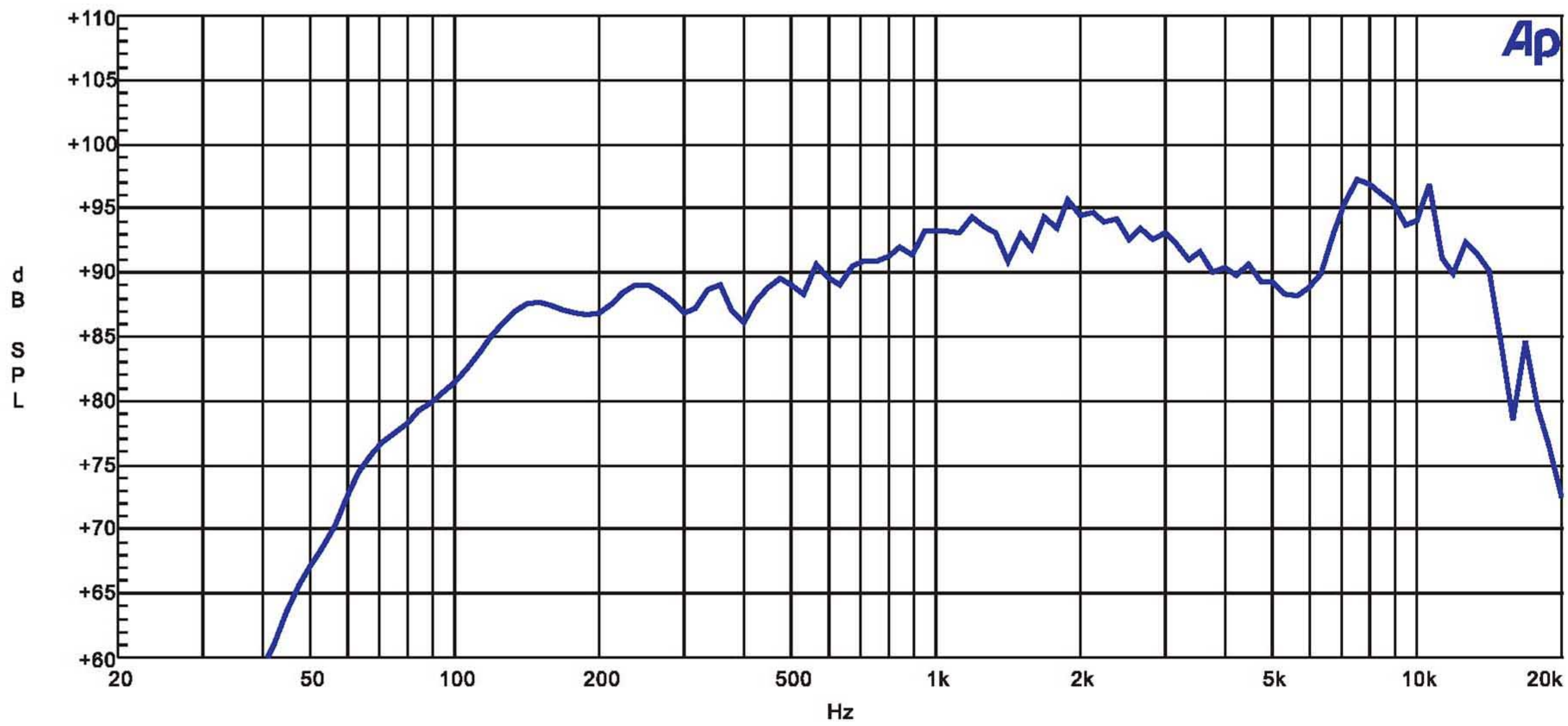
Audio Precision

MAXX 8A SUB



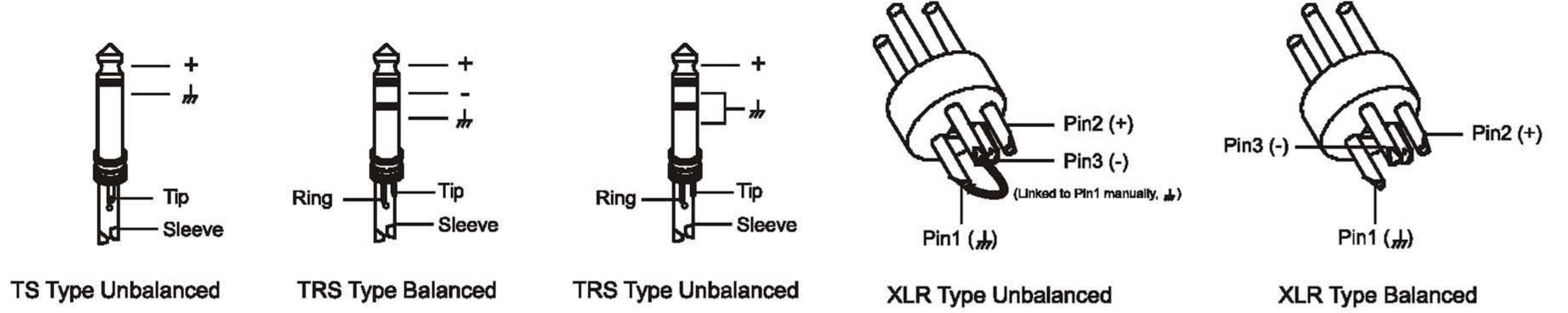
Audio Precision

TAP 40A



7 Configuración de Alambrado

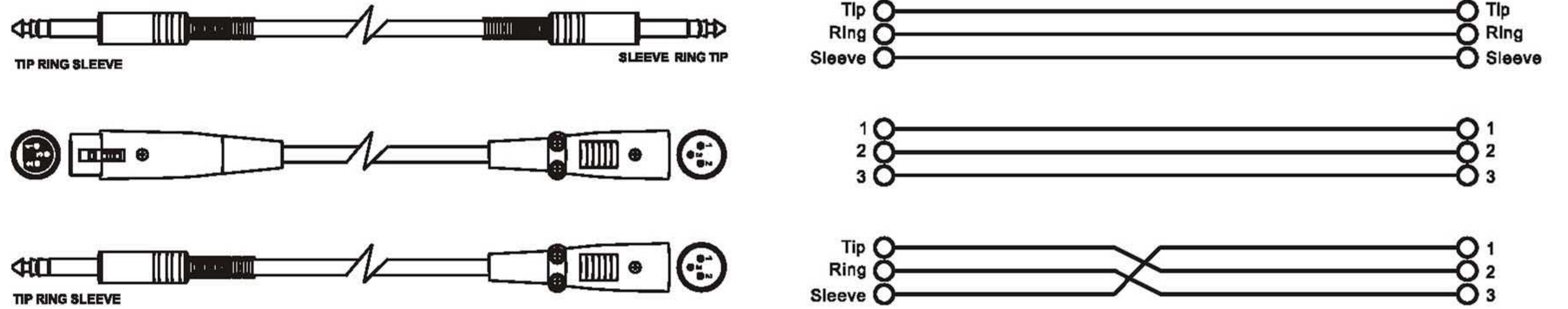
Cualquiera de los dos conectores, ya sea el TRS de 1/4" o el XLR, pueden alambrarse en modo no balanceado o balanceado, dependiendo de la necesidad de trabajo. Los siguientes son unos ejemplos de cómo se pueden alambra estos conectores:



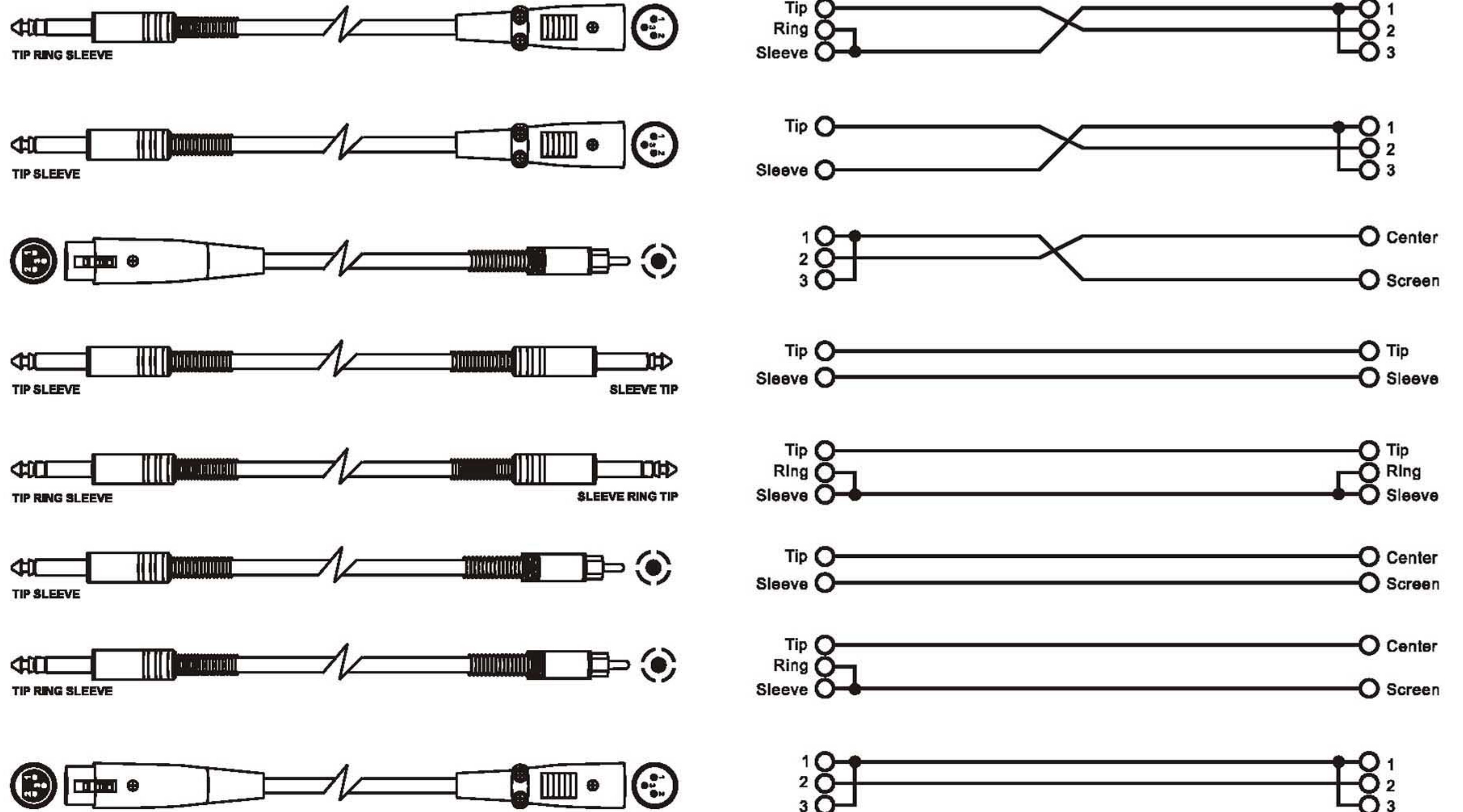
Conexión Línea de Entrada

Como se mencionó antes, esta unidad cuenta con varios tipos de conectores para diferentes aplicaciones. Los siguientes son algunos ejemplos de conexiones que se utilizan como interfase entre diferentes equipos:

• Balanceado



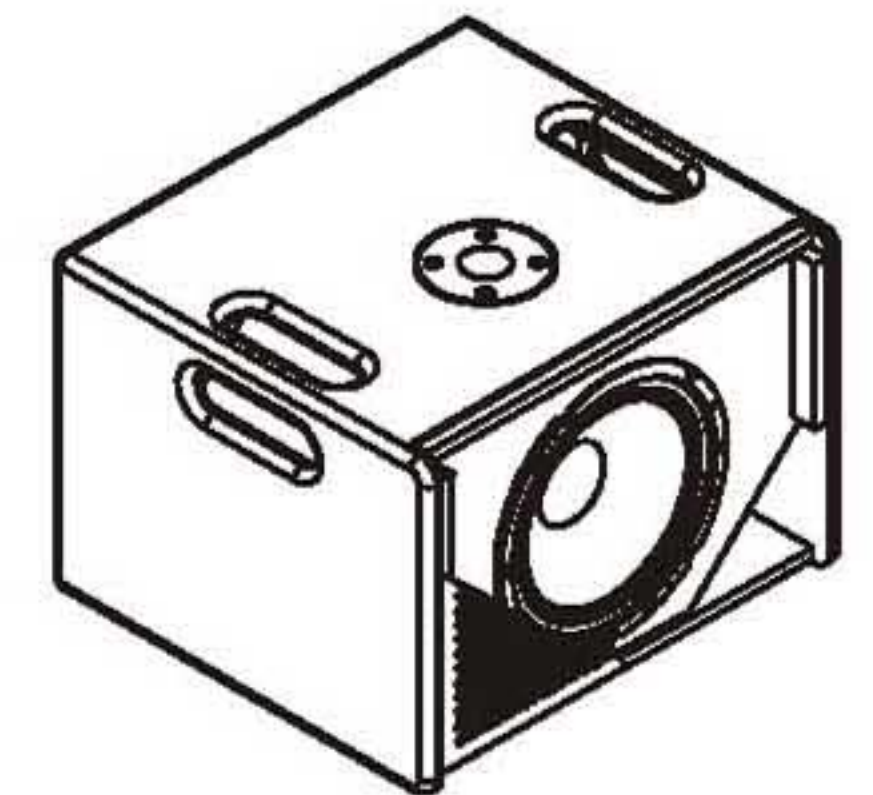
• No Balanceado



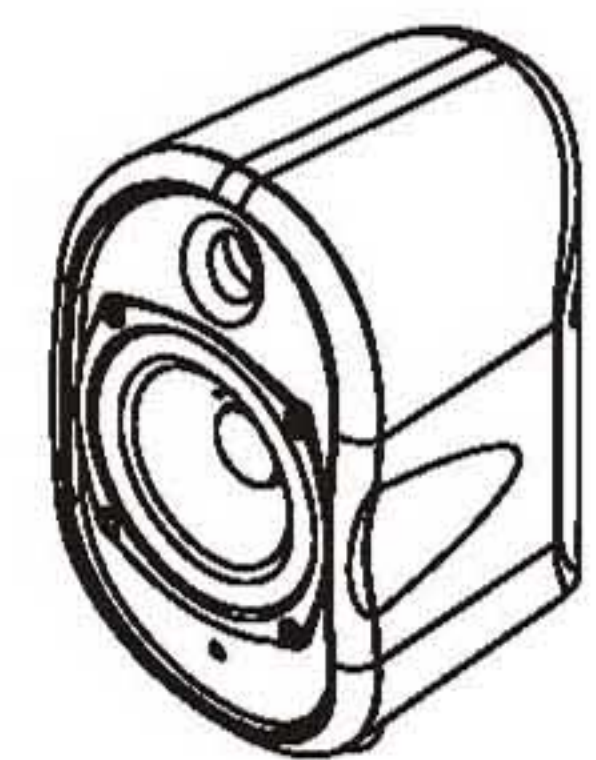
Especificaciones Técnicas

8

Modelo	MAXX 8A SUB BAJO
Tipo	Sub Bajo Activo
Potencia Continuos	200 Watts
Potencia Programa	400 Watts
Sensibilidad (1m / 1W)	92dB / 118dB Max
Respuesta de Frecuencia	55Hz-120Hz (-6dB)
Impedancia	4 Ohmios
Woofer	8" (205mm) / 2" Bobina
Crossover	HPF 100Hz
Conectores de Entrada	L - R (Combo / XLR-F) / L - R Link (2 - XLR-M)
Nivel de Línea	L - R (Output (2 - XLR-M) Balanced (15K Ohmios) Línea de Entrada L - R 0dBu
Fuente de Poder	110-120V / 220-240V 50/60Hz
Gabinete	Pintada de Madera, Adaptador para pedestal, soportes de Hule y Parrilla Metálica
Dimensiones (Alto/Ancho/Fondo)	13.98" (355mm) x 17.48" (444mm) x 18.11" (460mm)
Peso Neto	27.34 lbs / 12.4 Kg
Volumen	2.67 CFT



Modelo	TAP40A
Sistema	Gabinete Activo Clase "D"
Woofer	4" (101.6mm) / 1" Bobina
SPL a 1m/1w	90dB (± 3dB)
Frecuencia de Respuesta	76Hz - 18KHz
Impedancia	4 Ohmios
Rango de Potencia	30W RMS
Conectores	Entrada: RCA y 1/4" Balanceada Salida: 1/4" para lazos
Controles Externos	Volumen e Interruptor de encendido
Fuente de Poder	220V - 240V - 50Hz / 110V - 120V 60Hz
Dimensiones (Alto/Ancho/Fondo)	136 x 140 x 206mm
Peso	2.4Kg / 5.3 lbs





TOPP PRO MUSIC GEAR

www.topppro.com

MAXX
SERIES

NF03797-1.0